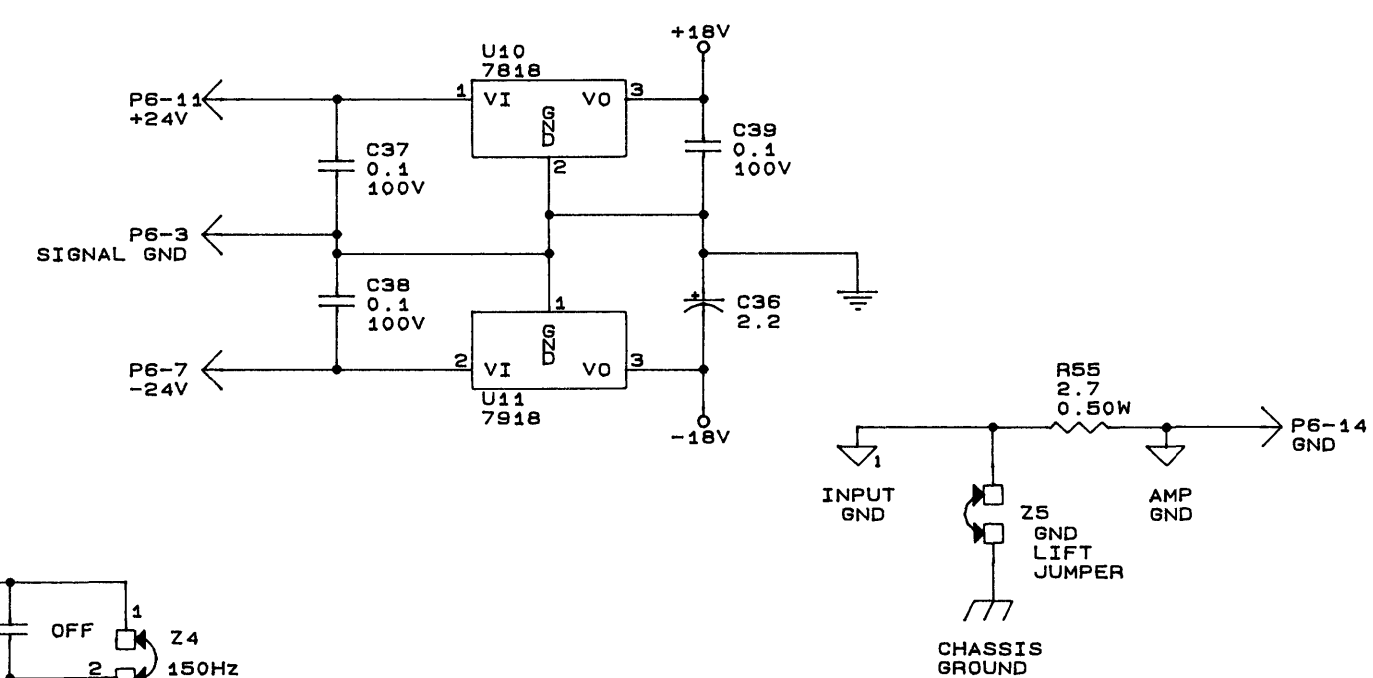
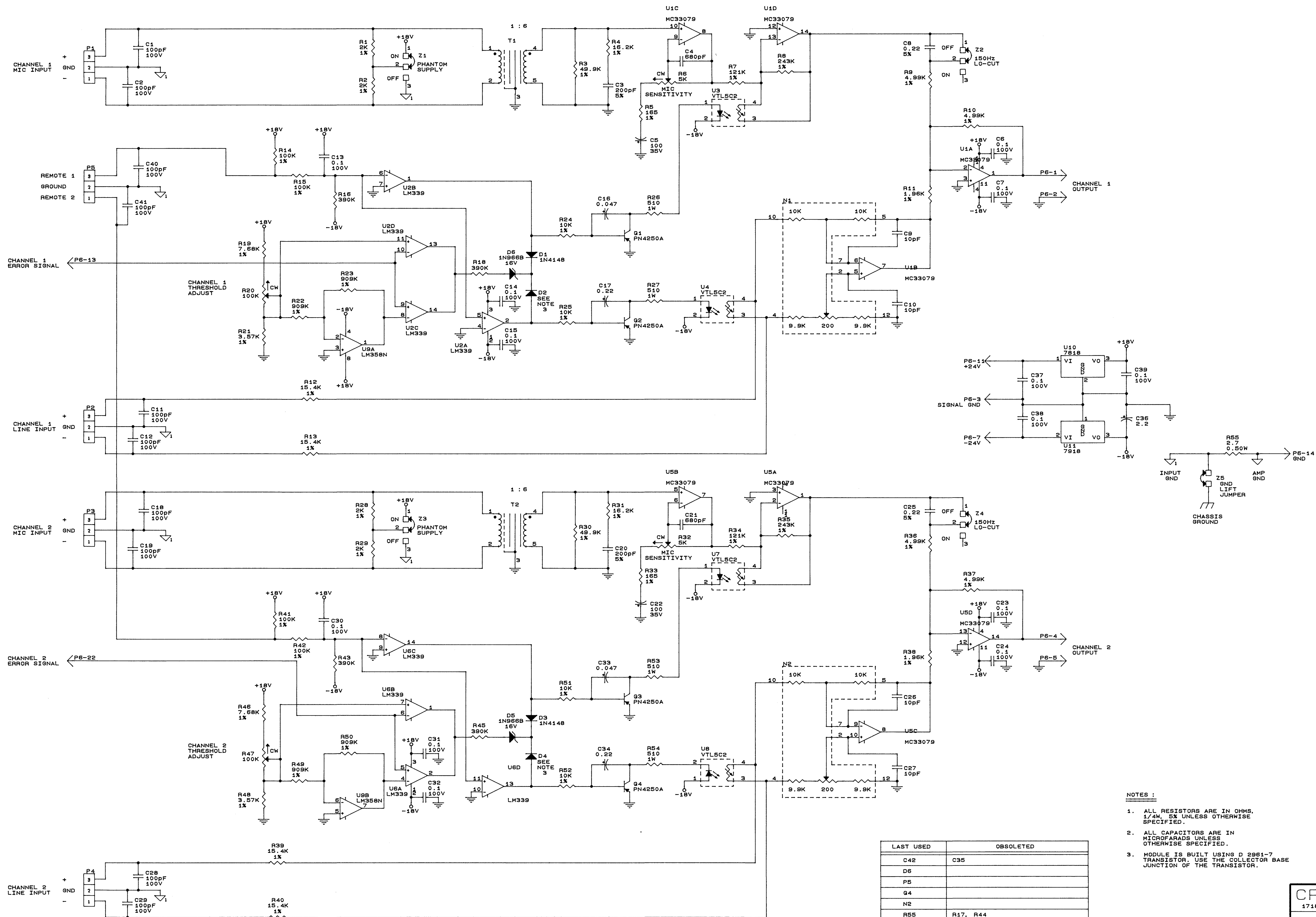


E. C. N.	ZONE	REV	DESCRIPTION	DATE	BY	APPROVALS
J0424A		(A)	C38 WAS 2.2, R18 & R45 WERE 510K	2-7-91	RTS	CK ME EE SP
EAT# 95-209		(B)	ADD NOTE 3	07/16/96	LCD	



- NOTES:
- ALL RESISTORS ARE IN OHMS, 1/4W, 5% UNLESS OTHERWISE SPECIFIED.
 - ALL CAPACITORS ARE IN MICROFARADS UNLESS OTHERWISE SPECIFIED.
 - MODULE IS BUILT USING D 2961-7 TRANSISTOR. USE THE COLLECTOR BASE JUNCTION OF THE TRANSISTOR.

LAST USED	OBSOLETE
C42	C35
D6	
P5	
G4	
N2	
R55	R17, R44
T2	
U11	
Z4	

CROWN INTERNATIONAL, INC.
1718 WEST MISHAWAKA ROAD ELKHART, IN. 46517 PHONE (219) 294-8000

SCHEMATIC, PIP-PA			
DRAWN	KLW	12-11-90	APPROVED BY :
CHECKED	JF	1-2-91	ME
SCALE	NONE	EE	
PROJ #	D230	PE	SP
REL FOR TOOLING	BY	DATE	DO NOT SCALE PRINT
REL FOR PROD	BY S. POTOSKY	DATE 12-20-90	SUPERSEDES X41768
AMPDESIGN			E. C. N.
			C.P.N.
			REV

COPIES TO: G

REL FOR TOOLING BY DATE

REL FOR PROD BY S. POTOSKY DATE 12-20-90

AMPDESIGN

J0424-2 (B)