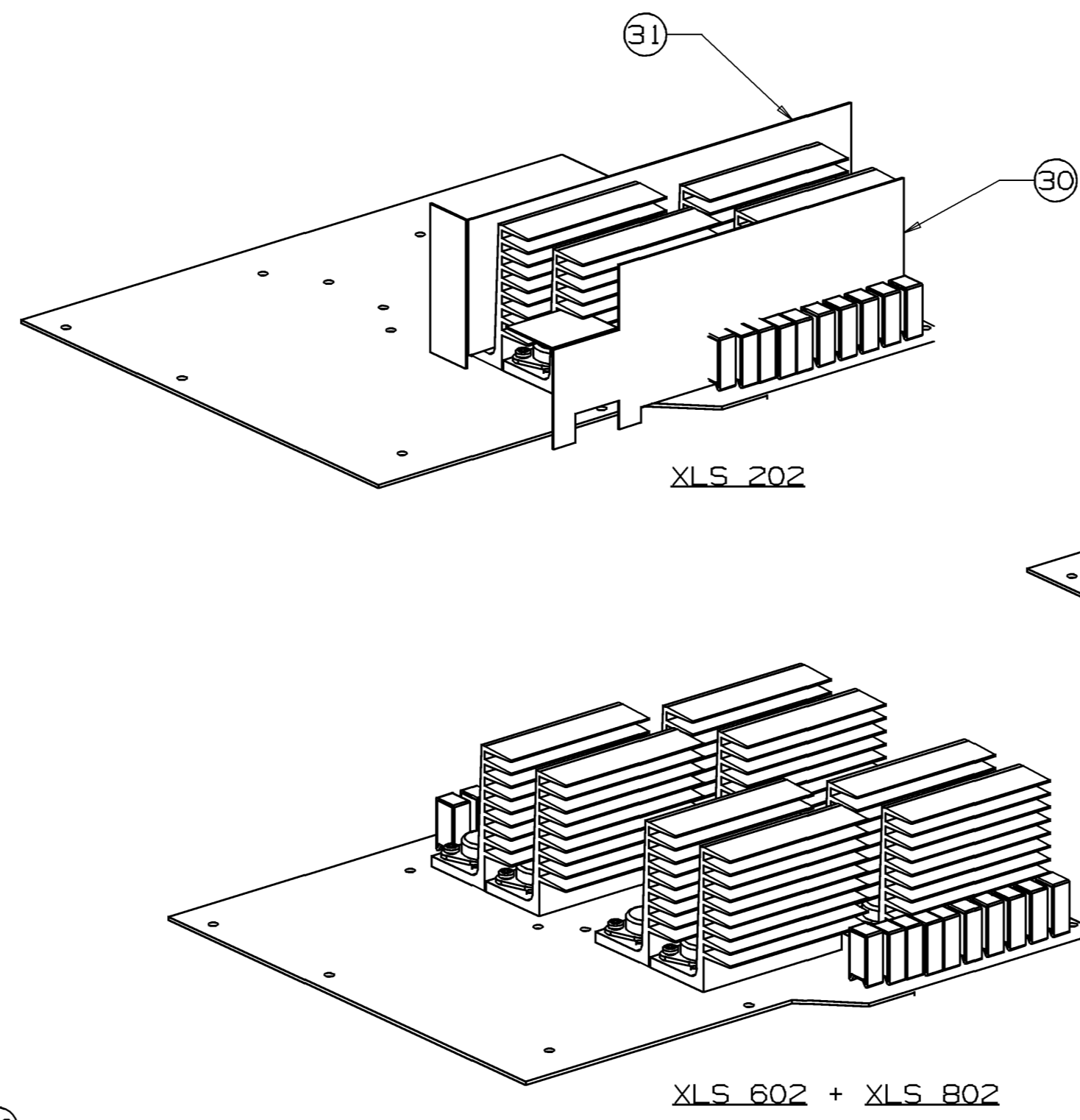


REVISIONS					APPROVALS			
E.C.N.	ZONE	REV	DESCRIPTION	DATE	DWN	CHK	CM	PE
		①	INITIAL RELEASE FOR PROTOTYPE	10-27-05	JAG	N/A		PM
		②	CHANGED ITEMS 13 & 29 DESCRIPTIONS AS GENERIC	12-16-05	JAG	N/A		PM
		③	ITEM 30 WAS 139250-1, ADDED ITEM 31, REMOVED NOTE 4, ADDED HEAT SINK ARRANGEMENT VIEWS FOR 202, 402 & 802, SEE SHEET 2 FOR ADDITIONAL CHANGES	1-17-06	JAG	N/A		CC
		④	ADDED ITEM 32, ADDED SHEET 3, BOM UPDATED TO MATRIX ON SHEET 3, SEE SHEET 2 FOR ADDITIONAL CHANGES	2-3-06	JDW	N/A		CC
		⑤	ITEM 22 WAS 103438-10606, ADDED ITEM 33, SEE SHEET 2 FOR ADDITIONAL CHANGES	2-6-06	JDW	N/A		CC

NOTE:
PLENUMS SHOWN FOR LOCATION PURPOSES ONLY.
TO BE ADDED AT FINAL ASSEMBLY.

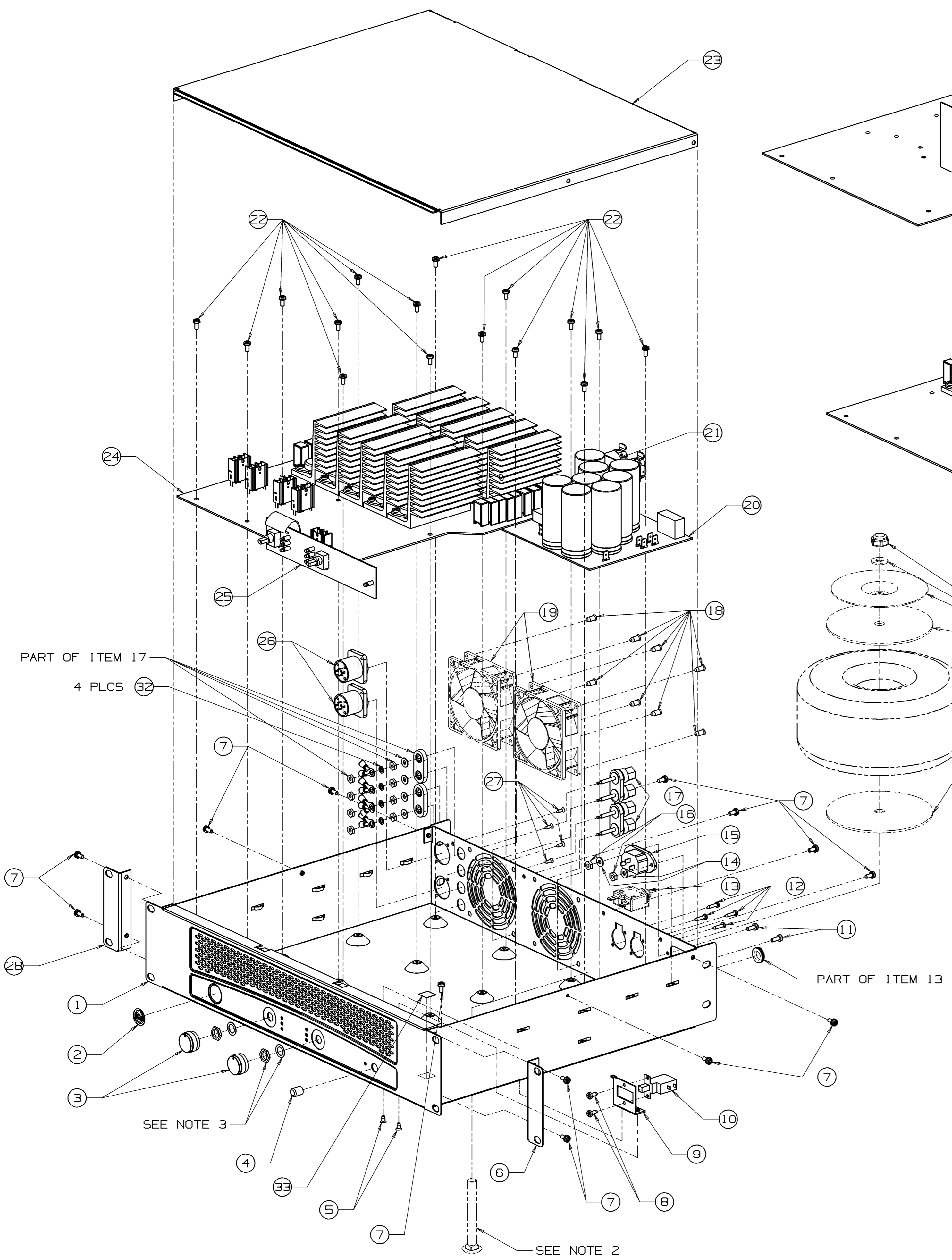


RECOMMENDED ASSEMBLY TORQUES

ITEM No.	VTECH PART No.	TORQUE SETTINGS
5	10-7708-00-00	12-14 IN LBS.
7	10-7572-01-00	12-14 IN LBS.
8	10-7572-02-00	12-14 IN LBS.
12	10-7576-00-00	8-10 IN LBS.
16	12-7228-00-00	12-14 IN LBS.
19	N/A	10-12 IN LBS.
22	10-7950-00-00	12-14 IN LBS.
27	10-7570-00-00	5-6 IN LBS.

- NOTES:
- * REPRESENTS MOST CURRENT PWA REV. UNLESS OTHERWISE SPECIFIED.
 - HARDWARE ITEMS INCLUDING RUBBER PADS, EMBOSSED DISC, FLAT WASHER, NYLOCK NUT & CARRIAGE BOLT ARE PART OF ITEM 29.
 - BOTH WASHER & NUT ARE PART OF POTENTIOMETERS ON ITEM 25 DISPLAY BOARD.

ITEM	QTY	DESCRIPTION	CROWN PART NO.	VTECH PART NO.
③③	1	LABEL, VDE EARTH GROUND	D 7037-1	92-8398-10-00
③②	4	WASHER, STAR, INT TOOTH	A10094-3	11-7275-00-00
③①	1	PLENUM, XLS LEFT	SEE SHEET 3	SEE SHEET 3
③①	1	PLENUM, XLS RIGHT	SEE SHEET 3	SEE SHEET 3
②⑨	1	TRANSFORMER	SEE SHEET 3	SEE SHEET 3
②⑧	1	BRKT, RACK EAR LEFT	138665-1	N/A
②⑦	4	M2.9 x 9.5MM FLT HD PH TFS BZ AB	N/A	10-7950-02N00
②⑥	2	SPEAKON, 4 POLE PCB HORIZ	N/A	40-B127-00-00
②⑤	1	PWA, XLS DISPLAY	138381-*	N/A
②④	1	PWA, XLS MAIN	138373-*	N/A
②③	1	COVER, XLS TOP	138418-1	N/A
②②	16	#6-32 x .375 TORX PAN CONICAL	N/A	10-7950-02N00
②①	1	PWA, XLS INPUT	138383-*	N/A
②①	1	PWA, XLS POWER SUPPLY	N/A	N/A
①⑨	SEE SHEET 3	FAN 80X80X25MM, SOLID HOUSING	SEE SHEET 3	SEE SHEET 3
①⑧	8	SCREW, M4.8X1.6X10mm FLT HD PH THD FORM TYPE AB	139100-1	N/A
①⑦	2	DUAL BINDING POST	C 8013-2	N/A
①⑥	2	#6-32 NUT	A10102-5	12-7228-00-00
①⑤	1	CONN, CCA IEC	137604-1	40-B128-00-00
①④	2	#6 LOCK WASHER	A10096-5	11-7333-00-00
①③	1	CIRCUIT BREAKER	SEE SHEET 3	SEE SHEET 3
①②	4	SCREW, #4-24 x .500 PNHD PH AB BZ	N/A	10-7576-00-00
①①	2	6-32 x 3/8 PNHD PH MSCR BZ	A10089-70606	10-7575-00-00
①①	1	SWITCH, CCA POWER	N/A	42-7466-00-00
①①	1	BRKT, SWITCH XLS	138655-1	N/A
①①	2	SCR, M3.5XB PH SELF TAPPING BLK	137622-1	10-7572-02-00
①①	13	SCREW, #6-32 x .312 TORX PNHD INT STAR SEMS BZ	103433-70605	10-7572-01-00
①①	1	BRKT, RACK EAR RIGHT	138664-1	N/A
①①	2	MS, STL, #6-32 x .250 UC FLT HD BZ	N/A	10-7708-00-00
①①	1	CAP, CCA POWER SWITCH	137626-1	13-7448-00-00
①①	2	KNOB, XLS FRONT PANEL	138693-1	N/A
①①	1	LOGO, XLS CROWN ROUND	138707-1	N/A
①①	1	CHASSIS, XLS 402/602/802	SEE SHEET 3	SEE SHEET 3

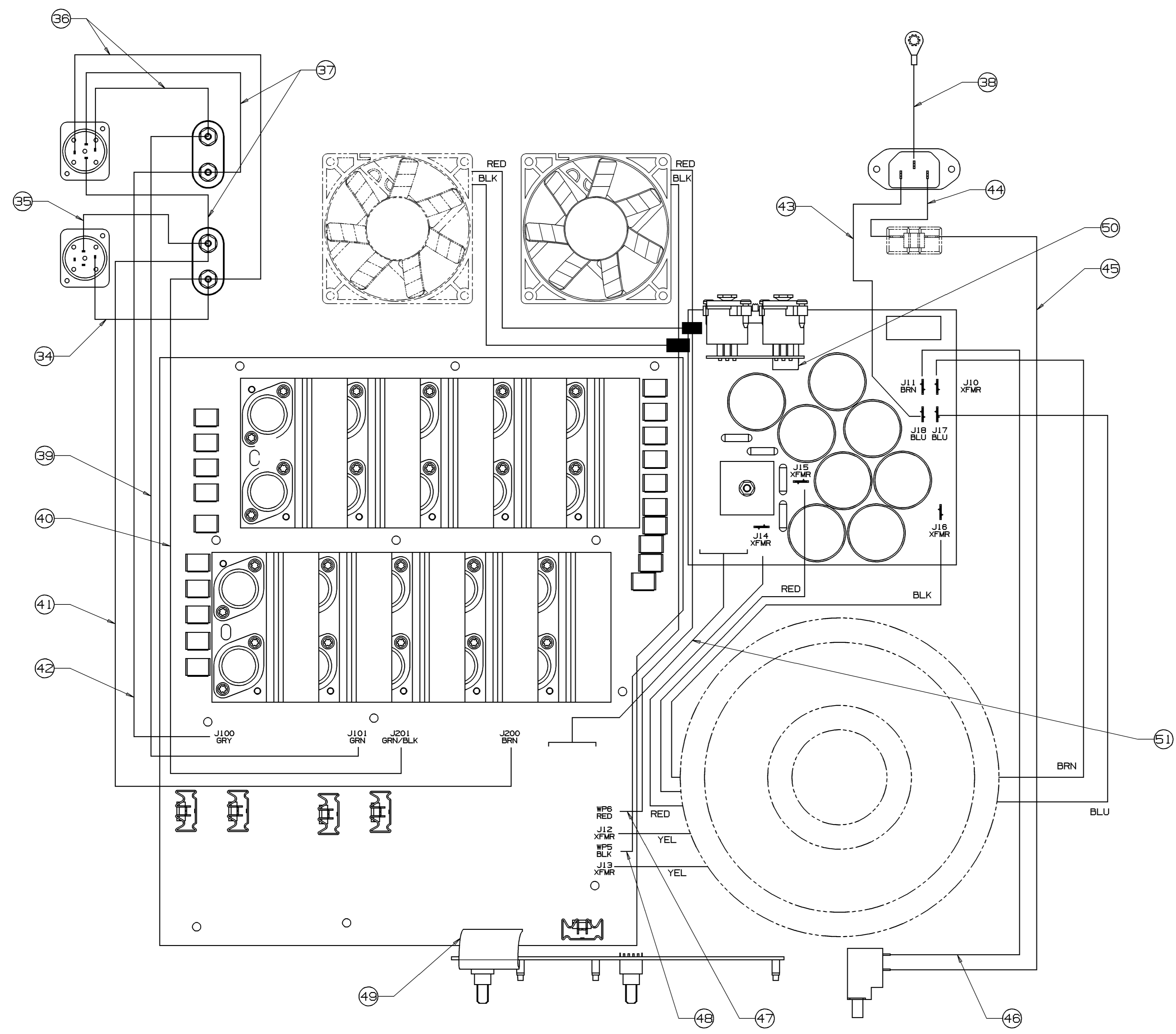


UNCONTROLLED
UNLESS OTHERWISE MARKED IN RED INK BY DM AS A CONTROLLED COPY, COPIES OF THESE DOCUMENTS AND ASSOCIATED ELECTRONIC FILES ARE UNCONTROLLED AND ARE FOR REFERENCE ONLY.

THESE DRAWINGS, SPECIFICATIONS AND ASSOCIATED ELECTRONIC FILES ARE THE PROPERTY OF CROWN INTERNATIONAL, INC. AND SHALL NOT BE REPRODUCED, COPIED, OR USED AS THE BASIS FOR THE MANUFACTURE OR SALE OF APPARATUS OR DEVICES WITHOUT PERMISSION.

DISTRIBUTION	DWN	JAG	10-27-05	CROWN A Harman International Company 1718 WEST MISHAWAKA RD. PHONE (574) 294-8000 ELKHART, IN 46517 WWW.CROWNAUDIO.COM
	CHK	N/A	N/A	
	CM			
	PE	PM	10-27-05	
DWG138378.PRT				TITLE DWG, XLS 802/602/402/202 MAIN ASM.
				SIZE/DWG NO. D 138378
				SCALE FULL PROJ NO. MXLSREFO SHEET 1 OF 3

REVISIONS						APPROVALS			
E.C.N.	ZONE	REV	DESCRIPTION	DATE	DWN	CHK	CM	PE	SH
		③	ITEM 40 & 41 I.D. CALLOUTS WERE REVERSED, ITEM 40 BLU J18 WAS BLU J17, REVISED NOTES 1 & 2, ADDED NOTE TO FAN	1-17-06	JAG	N/A		CC	
		④	ADDED ITEMS 46, 49, 50, SEE SHEET 1 FOR ADDITIONAL CHANGES	2-3-06	JDW	N/A		CC	
		⑤	SHIFTED ITEM NUMBERS DUE TO CHANGE ON SHEET 1, ADDITIONAL CHANGES ON SHEET 1	2-6-06	JDW	N/A		CC	



NOTES:
 1) SHRINK WRAP ITEM 47 TO BOTH RED WIRES AND ITEM 48 TO BOTH BLACK WIRES COMING FROM FANS.
 2) J-HOOK ITEMS 34 - 37 BEFORE SOLDERING TO BIND POSTS.

ITEM	QTY	DESCRIPTION	CROWN PART NO.	VTECH PART NO.
⑤1	1	WIRE, 13 PIN RIBBON J3 TO J2	139266-1	N/A
⑤0	1	CABLE, 6 PIN XLS RIBBON	139089-1	N/A
④9	1	CABLE, 13 PIN XLS RIBBON	139088-1	N/A
④8	1	WIRE, 355mm BLK WPS TO FAN	139071-1	N/A
④7	1	WIRE, 355mm RED WPS TO FAN	139070-1	N/A
④6	1	WIRE, 400mm BRN PWB TO PWR SWITCH	139059-1	N/A
④5	1	WIRE, 400mm BRN BRKR TO PWR SWITCH	139058-1	N/A
④4	1	WIRE, 100mm BRN BRKR TO IEC	139057-1	N/A
④3	1	WIRE, 100mm BLU PWB TO IEC	139056-1	N/A
④2	1	WIRE, 315mm GRY PWB TO BIND POST	139055-1	N/A
④1	1	WIRE, 475mm BRN PWB TO BIND POST	139054-1	N/A
④0	1	WIRE, 400mm GRN/BLK PWB TO BIND POST	139053-1	N/A
③9	1	WIRE, 400mm GRN PWB TO BIND POST	139052-1	N/A
③8	1	WIRE, 160MM GRN/YEL XLS IEC GND	139050-1	N/A
③7	2	WIRE, 70MM RED BIND POST TO SPEAKON	139043-1	46-7635-02-00
③6	2	WIRE, 70MM BLK BIND POST TO SPEAKON	139042-1	46-7630-02-00
③5	1	WIRE, 50mm RED BIND POST TO SPEAKON	139041-1	46-7635-01-00
③4	1	WIRE, 50mm BLK BIND POST TO SPEAKON	139040-1	46-7630-01-00

UNCONTROLLED
 UNLESS OTHERWISE MARKED IN RED INK BY CM AS A CONTROLLED COPY, COPIES OF THESE DOCUMENTS AND ASSOCIATED ELECTRONIC FILES ARE UNCONTROLLED AND ARE FOR REFERENCE ONLY.

TOLENANCE UNLESS OTHERWISE SPECIFIED
 .00 = ±.020
 .000 = ±.010
 ANGLES = ±1.0°

THESE DRAWINGS, SPECIFICATIONS AND ASSOCIATED ELECTRONIC FILES ARE THE PROPERTY OF CROWN INTERNATIONAL, INC. AND SHALL NOT BE REPRODUCED, COPIED, OR USED AS THE BASIS FOR THE MANUFACTURE OR SALE OF APPARATUS OR DEVICES WITHOUT PERMISSION.

SCALE NONE
 PROJ. NO. MxLSRFD
 SHEET 2 OF 3

CROWN H A Harman International Company
 1718 WEST MISHAWAKA RD.
 ELKHART, IN 46517
 PHONE: (574) 234-9000
 WWW.CROWNAUDIO.COM

SIZE/DWG NO.
 D 138378

REV ⑤

SPECIFICATIONS	VOLTAGE	120V	100V	220V	230/240V	120V	100V	220V	230/240V	120V	100V	220V	230/240V	120V	100V	220V	230/240V
	FREQUENCY	60Hz	50/60Hz	50Hz	50Hz	60Hz	50/60Hz	50Hz	50Hz	60Hz	50/60Hz	50Hz	50Hz	60Hz	50/60Hz	50Hz	50Hz
	XLS 202D																
	XLS 202DE1																
	XLS 202DE13																
	XLS 202DE14																
	XLS 402D																
	XLS 402DE1																
	XLS 402DE13																
	XLS 402DE14																
	XLS 602D																
	XLS 602DE1																
	XLS 602DE13																
	XLS 602DE14																
	XLS 802D																
	XLS 802DE1																
	XLS 802DE13																
	XLS 802DE14																

ITEM	QTY	DESCRIPTION	CROWN PART No.	VTECH PART No.														
①	1	CHASSIS, XLS 402/602/802	138379-1	N/A					X	X	X	X	X	X	X	X	X	X
	1	CHASSIS, XLS 202	139025-1	N/A	X	X	X	X										
⑬	1	CIRCUIT BREAKER, 7A	X	44-7351-00-00			X	X			X	X			X	X		
	1	CIRCUIT BREAKER, 10A	X	44-7350-00-00	X	X			X	X							X	X
	1	CIRCUIT BREAKER, 18A	X	44-7391-00-00								X	X		X	X		
⑰	2	FAN, 80mmX80mmX25mm	N/A	N/A					X	X	X	X	X	X	X	X	X	X
	1	FAN, 80mmX80mmX25mm	N/A	N/A	X	X	X	X										
⑲ SEE NOTE 1	1	TRANSFORMER, 202, 120V	138448-X	N/A	X													
	1	TRANSFORMER, 202, 100V	138409-X	N/A		X												
	1	TRANSFORMER, 202, 220V	138450-X	N/A			X											
	1	TRANSFORMER, 202, 240V	138451-X	N/A				X										
	1	TRANSFORMER, 402, 120V	138452-X	N/A					X									
	1	TRANSFORMER, 402, 100V	138453-X	N/A						X								
	1	TRANSFORMER, 402, 220V	138454-X	N/A							X							
	1	TRANSFORMER, 402, 240V	138455-X	N/A								X						
	1	TRANSFORMER, 602, 120V	139261-X	N/A									X					
	1	TRANSFORMER, 602, 100V	139262-X	N/A										X				
	1	TRANSFORMER, 602, 220V	139263-X	N/A											X			
	1	TRANSFORMER, 602, 240V	139264-X	N/A												X		
	1	TRANSFORMER, 802, 120V	138439-X	N/A												X		
	1	TRANSFORMER, 802, 100V	138440-X	N/A													X	
1	TRANSFORMER, 802, 220V	138441-X	N/A														X	
1	TRANSFORMER, 802, 240V	138442-X	N/A															X
⑳	1	PLENUM, XLS RIGHT	139486-1	N/A	X	X	X	X	X	X	X	X						
㉑	1	PLENUM, XLS LEFT	139485-1	N/A	X	X	X	X	X	X	X	X						

NOTES:
1) USE LATEST REVISION OF POWER TRANSFORMER

UNCONTROLLED UNLESS OTHERWISE MARKED IN RED INK BY CM AS A CONTROLLED COPY, COPIES OF THESE DOCUMENTS AND ASSOCIATED ELECTRONIC FILES ARE UNCONTROLLED AND ARE FOR REFERENCE ONLY.	TOLERANCE UNLESS OTHERWISE SPECIFIED .00 = ±.020 .000 = ±.010 ANGLES = ±1.0°	CROWN H A Harman International Company 1718 WEST MISHAWAKA RD. ELKHART, IN 46517 PHONE: (574) 294-9000 WWW.CROWNAUDIO.COM	SIZE DWG NO. D 138378-1	REV ⑤
THESE DRAWINGS, SPECIFICATIONS AND ASSOCIATED ELECTRONIC FILES ARE THE PROPERTY OF CROWN INTERNATIONAL, INC. AND SHALL NOT BE REPRODUCED, COPIED, OR USED AS THE BASIS FOR THE MANUFACTURE OR SALE OF APPARATUS OR DEVICES WITHOUT PERMISSION.	DO NOT SCALE DRAWING	SCALE NONE	PROJ NO. MXLSRFD	SHEET 3 OF 3