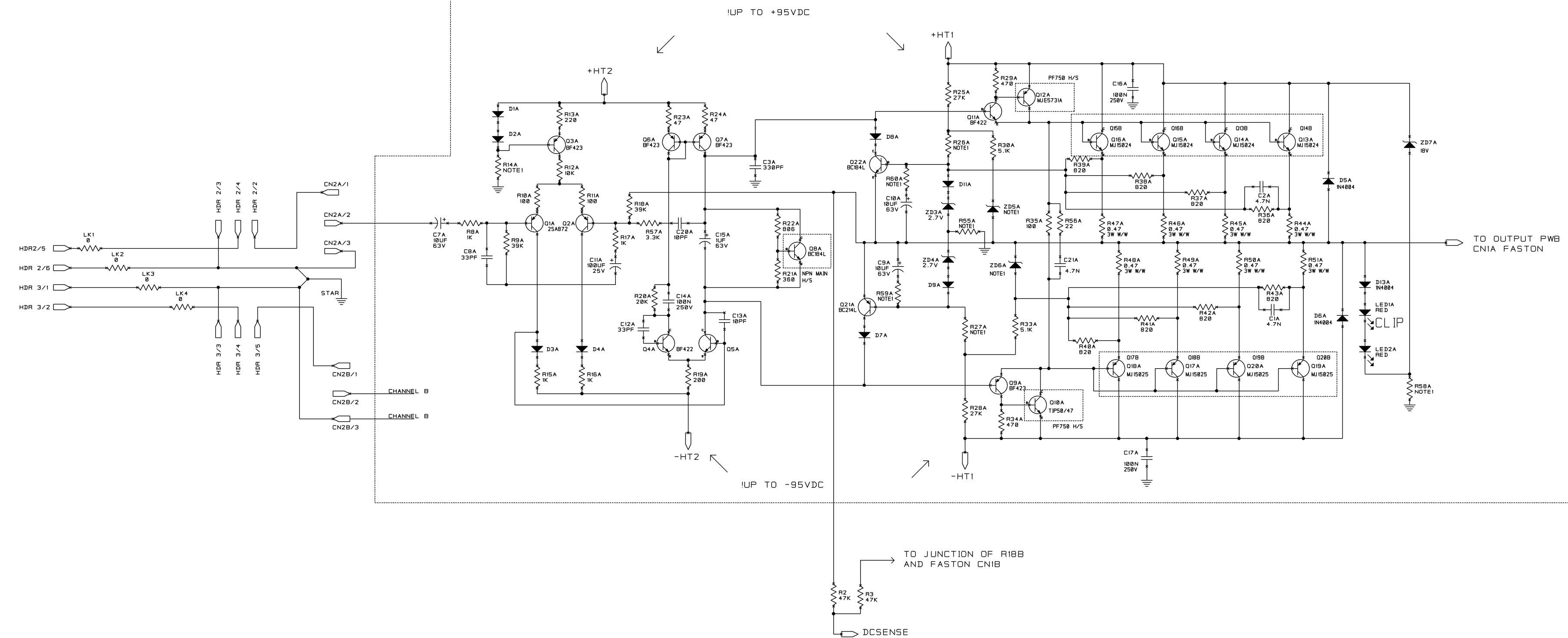


REVISION HISTORY						
E.C.N.	ZONE	REV	DESCRIPTION	DATE	DWN	APPROVED
		2	DELETE CONNECTION FROM R33A TO R48A, ADD R27A TO R48A	5/14/82	TRW	CM PE

CHANNEL A ONLY SHOWN
 CHANNEL B IS SAME EXCEPT COMPONENT
 REFERENCE DESIGNATORS HAVE B SUFFIX
 EXCEPT OUTPUT DEVICES AS NOTED.



XLS560, XLS400, XLS200
 ALL DIODES ARE 1N4148 UNLESS OTHERWISE SPECIFIED
 ALL ZENER DIODES ARE 480MM UNLESS OTHERWISE SPECIFIED
 ALL RESISTORS ARE 1/4W METAL FILM UNLESS OTHERWISE SPECIFIED
 ALL BF422 AND BF423 ARE PHILIPS OR TOSHIBA, DO NOT USE CARSEM (CBF1)

NOTE 1	R14A/B	R26A/B, R27A/B	R55A/B	R58A/B, R24, R25	ZD5A/B, ZD6A/B	R59A/B, R60A/B	ZD2	BRI
XLS560	100K	20K	3.3K 1W E/F	6.8K 1W E/F	47V	75	10V	GBPC5006 50A 600V
XLS400	33K	20K	2.7K 1W E/F	5.6K 1W E/F	30V	120	9.1V	GBPC5006 50A 600V
XLS200	22K	43K	2.7K 1W E/F	4.7K 1W E/F	47V	150	9.1V	SB356 35A 600V

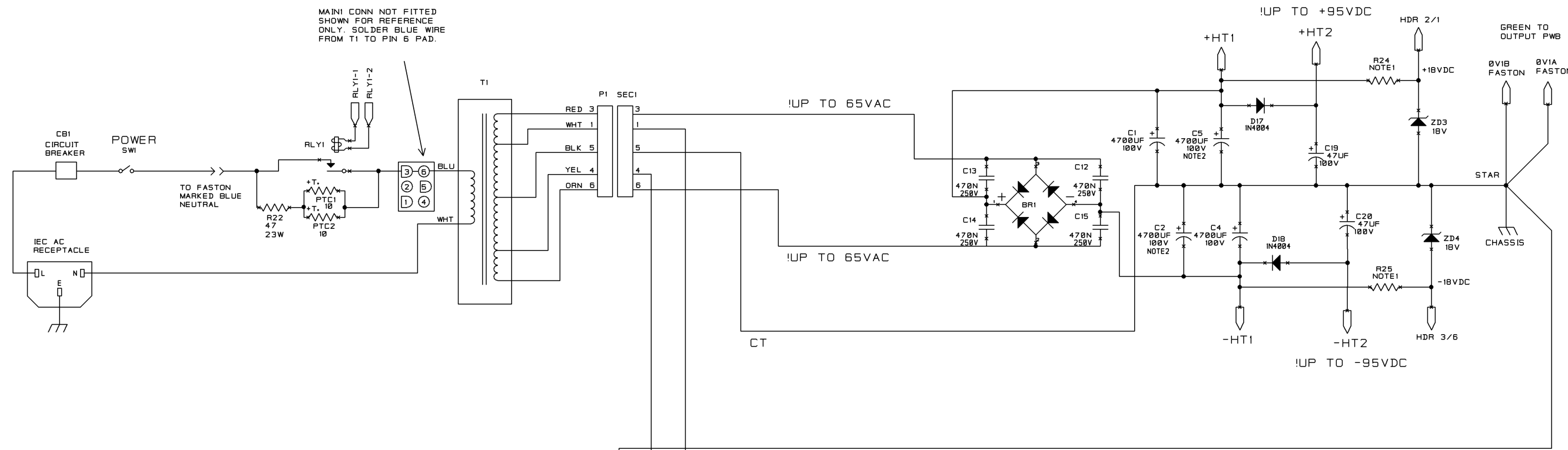
NOTE 2	NOT FITTED:
XLS400	R37A/B, R42A/B R45A/B, R50A/B Q14A, Q20A, Q13B, Q19B
XLS200	R37A/B, R42A/B R45A/B, R50A/B R39A/B, R40A/B R47A/B, R48A/B Q14A, Q20A, Q15A, Q18A Q13B, Q19B, Q15B, Q17B C2, C5

REFERENCE 135275-1 SCHEMATIC, XLS2U INPUT
 135276-1 SCHEMATIC, XLS2U OUTPUT

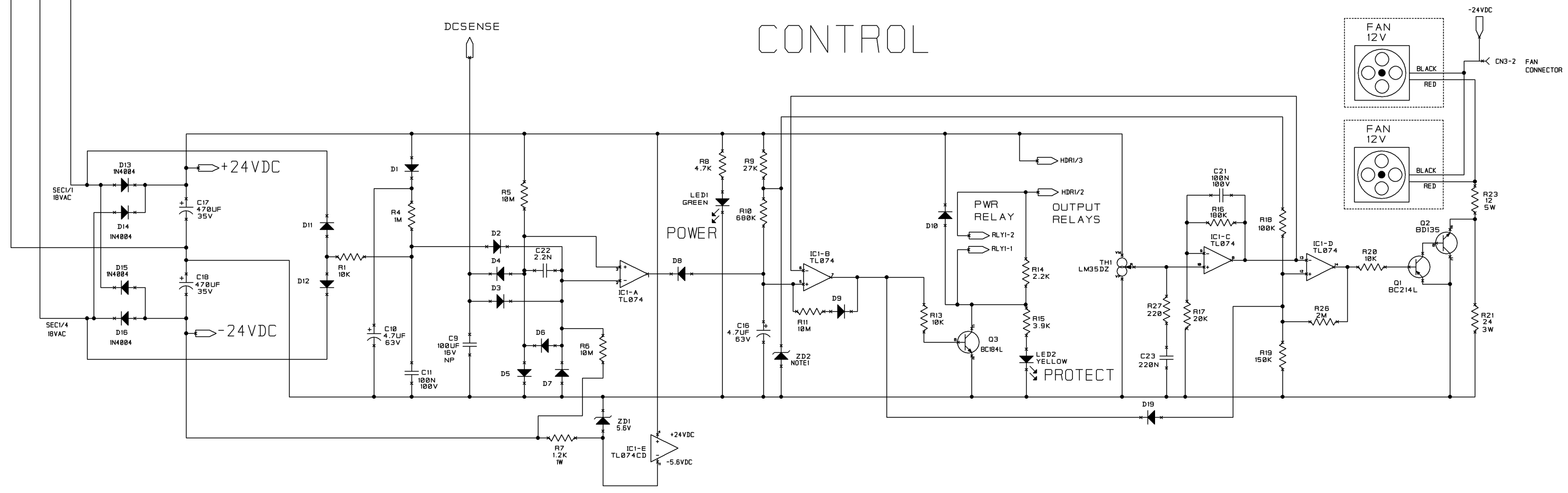
UNCONTROLLED
 UNLESS OTHERWISE MARKED IN RED INK BY CM AS A
 CONTROLLED COPY, COPIES OF THESE DOCUMENTS
 INCLUDING ASSOCIATED ELECTRONIC REPRODUCTIONS
 ARE FOR REFERENCE ONLY.
 THESE DRAWINGS AND SPECIFICATIONS ARE THE
 PROPERTY OF CROWN INTERNATIONAL, INC. AND
 SHALL NOT BE REPRODUCED, COPIED, OR USED
 AS THE BASIS FOR THE MANUFACTURE OR SALE
 OF APPARATUS OR DEVICES WITHOUT PERMISSION.

DWN	TRW	5/2/82		1718 W. MISHAWAKA RD. ELKHART IN. 46517 PHONE 219/234-6800 WWW.CROWNINTL.COM		
CHK	TRW			TITLE		
ND	CM		SCHEMATIC, XLS2U MAIN	SIZE	DWG NO.	REV
FILENAME	PE			D	135277-1	2
TOLERANCE UNLESS OTHERWISE SPECIFIED			DO NOT SCALE DRAWING			
.00 - .002 .000 - .0010 DRILLS - .003"			SCALE	NONE	PRJ NO.	XLS2U
			SHEET 1 OF 2			

POWER SUPPLY



CONTROL



UNCONTROLLED		THESE DRAWINGS AND SPECIFICATIONS ARE THE PROPERTY OF CROWN INTERNATIONAL, INC. AND SHALL NOT BE REPRODUCED, COPIED, OR USED AS THE BASIS FOR THE MANUFACTURE OR SALE OF APPARATUS OR DEVICES WITHOUT PERMISSION.		SIZE	DWG NO.	REV
UNLESS OTHERWISE MARKED IN RED INK BY CM AS A CONTROLLED COPY, COPIES OF THESE DOCUMENTS INCLUDING ASSOCIATED ELECTRONIC REPRODUCTIONS ARE FOR REFERENCE ONLY.				D	135277-1	2
SCALE		PRJ NO.		SHEET		
NONE		XLS2U		2 OF 2		