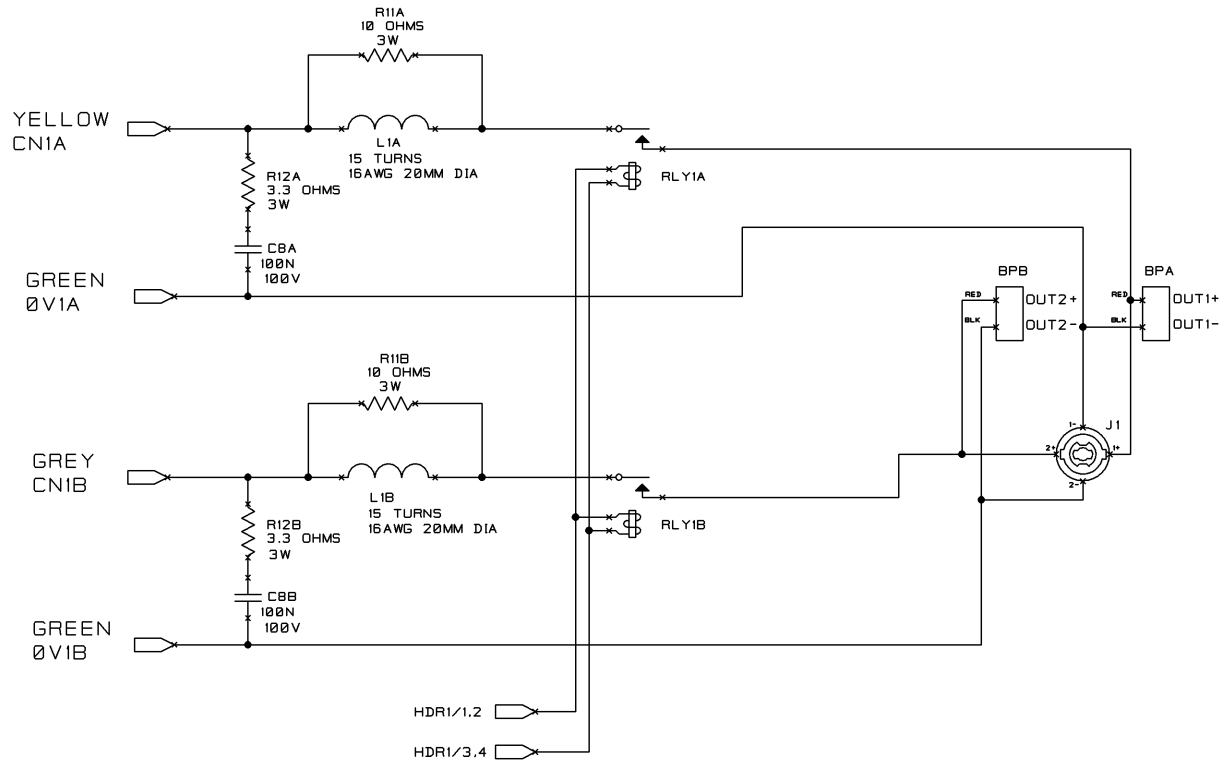



REVISION HISTORY				
E.C.N.	REV	DESCRIPTION	DATE	APPROVED
				DWN CHK CM PE



NOTE: THIS PWB IS MADE FROM CAUDIO P/N 1072 OUTPUT MODULE.

DISTRIBUTION	DWN	TRW	5/02/02	 1718 W. MISHAWAKA RD. ELKHART IN. 46517 PHONE (219) 294-8000 WWW.CROWNINTL.COM
	CHK			
FILENAME	CM			
	PE			
TOLERANCE UNLESS OTHERWISE SPECIFIED				TITLE
.00 - ±.02"				SCHMATIC, XLS2U OUTPUT
.000 - ±.010"				SIZE
DRILLS - ±.003"				DWG NO. 135276-1
DO NOT SCALE DRAWING				SCALE NONE
				PROJ NO. XLS2U
				SHEET 1 OF 1

UNCONTROLLED
 UNLESS OTHERWISE MARKED IN RED INK BY CM AS A CONTROLLED COPY, COPIES OF THESE DOCUMENTS INCLUDING ASSOCIATED ELECTRONIC REPRODUCTIONS ARE FOR REFERENCE ONLY.

THESE DRAWINGS AND SPECIFICATIONS ARE THE PROPERTY OF CROWN INTERNATIONAL, INC. AND SHALL NOT BE REPRODUCED, COPIED, OR USED AS THE BASIS FOR THE MANUFACTURE OR SALE OF APPARATUS OR DEVICES WITHOUT PERMISSION.

REV 1