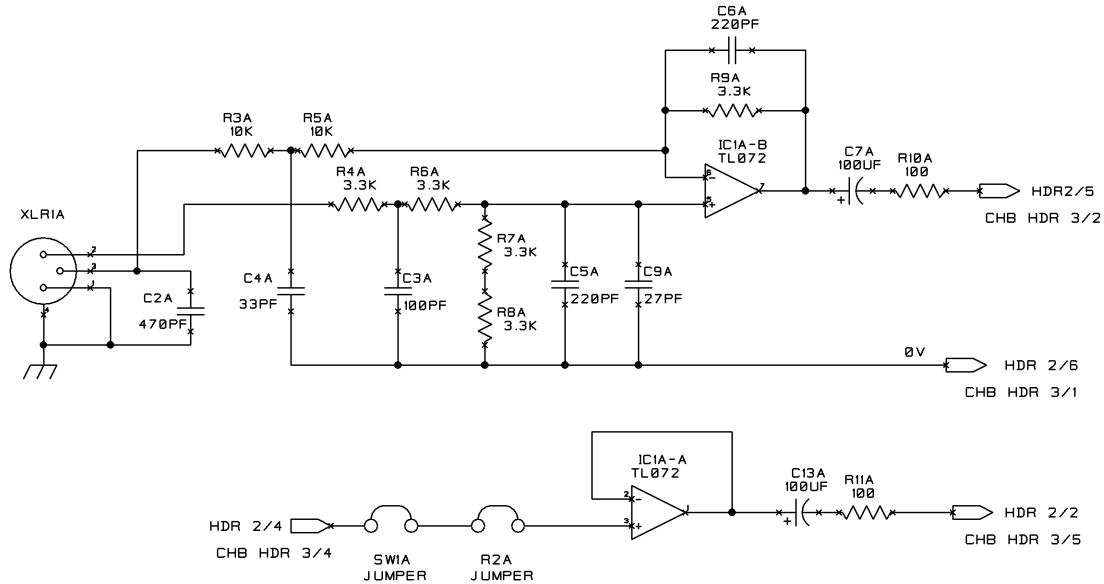


CHANNEL A ONLY SHOWN  
 CHANNEL B IS SAME EXCEPT COMPONENT  
 REFERENCE DESIGNATORS HAVE B SUFFIX

ALL RESISTORS ARE 1/4W, MF

REVISION HISTORY							
E.C.N.	REV	DESCRIPTION	DATE	APPROVED			
				DWN	CHK	CM	PE

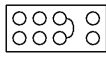
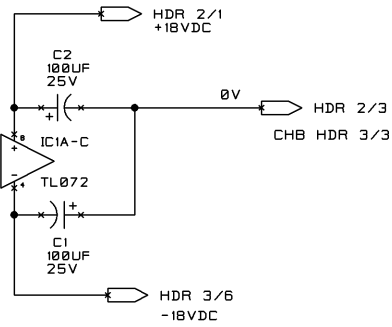


INPUT PWB IS CONNECTED TO MAIN PWB  
 VIA 2 - 6 CONDUCTOR #24AWG RIBBON  
 CABLES IN PLACE OF HEADER CONNECTORS  
 HDR2 AND HDR3.

NOTE: THIS PWB IS MADE FROM CAUDIO P/N 1073 INPUT MODULE.

THE FOLLOWING COMPONENTS ARE NOT FITTED:  
 XLR2A/B, C1A/B, C11A/B, C14A/B, C12A/B, C8A/B  
 C10A/B, LDR1A/B, R12A/B, R1A/B, SW2, SW1A/B AND R2A/B.

IN ADDITION #24AWG JUMPERS ARE INSERTED IN PLACE OF  
 R2A/B AND ACROSS THE CENTER CONTACTS OF SW1A/B  
 SEE DIAGRAM BELOW.



SW1A/B JUMPER LOCATION  
 VIEWED FROM COMPONENT SIDE

**UNCONTROLLED**  
 UNLESS OTHERWISE MARKED IN RED INK BY CM AS A  
 CONTROLLED COPY, COPIES OF THESE DOCUMENTS  
 INCLUDING ASSOCIATED ELECTRONIC REPRODUCTIONS  
 ARE FOR REFERENCE ONLY.

THESE DRAWINGS AND SPECIFICATIONS ARE THE  
 PROPERTY OF CROWN INTERNATIONAL, INC. AND  
 SHALL NOT BE REPRODUCED, COPIED, OR USED  
 AS THE BASIS FOR THE MANUFACTURE OR SALE  
 OF APPARATUS OR DEVICES WITHOUT PERMISSION.

DISTRIBUTION	DWN	TRW	5/02/02
	CHK		
FILENAME	CM		
	PE		
TOLERANCE UNLESS OTHERWISE SPECIFIED			
.00 - .02"			
.000 - .010"			
DRILLS - .003"			
DO NOT SCALE DRAWING			

		1718 W. MISHAWAKA RD. ELKHART IN. 46517 PHONE (219) 294-8000 WWW.CROWNINTL.COM	
		TITLE SCHEMATIC, XLS2U INPUT	
SIZE B	DWG NO. 135275-1	REV 1	
SCALE NONE	PROJ NO. XLS2U	SHEET 1 OF 1	