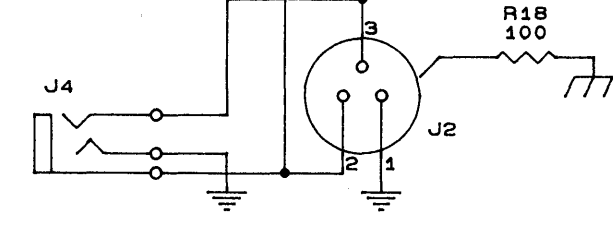
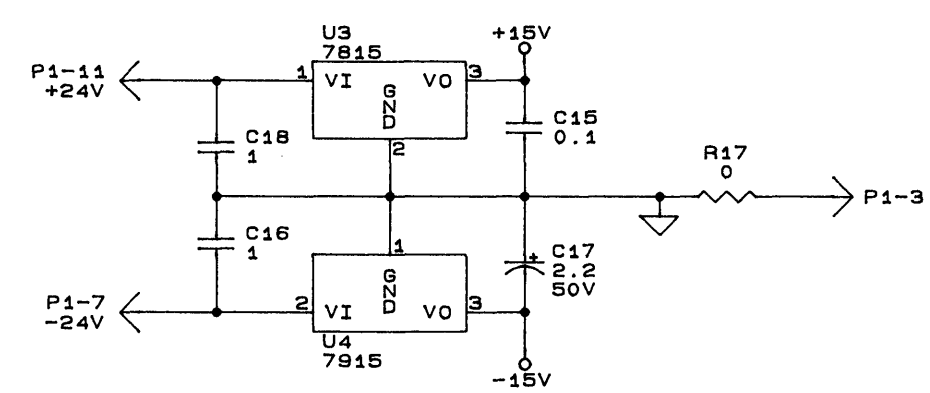
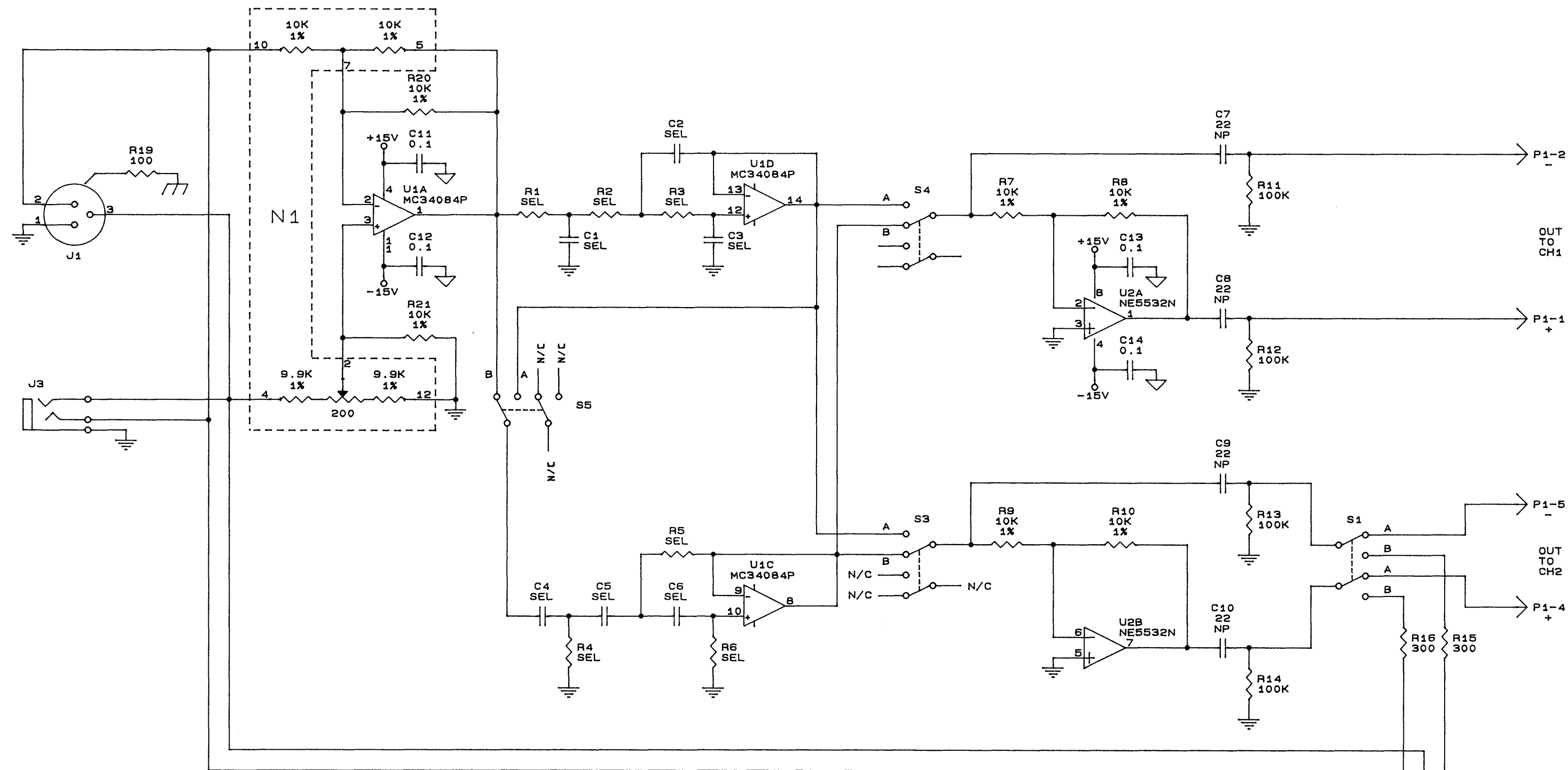
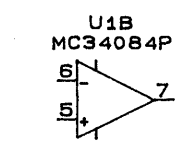


E.C.N.	ZONE	REV	DESCRIPTION	DATE	BY	APPROVALS
		(F)	REVISED AND REDRAWN. ADDED C16 AND C18.	04-13-94	KLW	CK ME EE PE
		(O)				
		(O)				



LAST USED	OBSOLETE
C18	
J4	
N1	
R21	
S5	
U4	

UNUSED ELEMENTS



NOTES :

1. ALL RESISTORS ARE IN OHMS. 1/4W, 5% UNLESS OTHERWISE SPECIFIED.
2. ALL CAPACITORS ARE IN MICROFARADS UNLESS OTHERWISE SPECIFIED.

CROWN INTERNATIONAL, INC.
 1718 WEST WISHAWAKA ROAD ELKHART, IN. 46517 PHONE (219) 294-8000

SCHEM, PIP-XOV

PRINTS TO	DRAWN	GMS	7/17/86	APPROVED BY :	DO NOT SCALE PRINT
G		JF	11/26/86	ME	SUPERSEDES
	SCALE	NONE	EE		E.C.N.
	PROJ #	D163	PE	TDK	12-1-86
	NEXT ASSEMBLY				

THESE DRAWINGS AND SPECIFICATIONS ARE THE PROPERTY OF CROWN INTERNATIONAL, INC. AND SHALL NOT BE REPRODUCED, COPIED, OR USED AS THE BASIS FOR THE MANUFACTURE OR SALE OF APPARATUS OR DEVICES WITHOUT PERMISSION.