

# IQ-INT 3

## IQ INTERFACE



The Crown® IQ-INT 3 is an IQ System® interface that connects up to four different IQ Bus loops to a host computer. It is a self-contained unit with its own IQ Bus drivers, RS232 drivers and power supply. It has a microprocessor that can be directed by the host computer to send and receive commands and data to and from IQ components connected to its IQ Bus loops.

The IQ-INT 3 supports both the original IQ and the newer IQ<sup>2</sup> (Ucode) protocols. Convenient RJ-45 connectors for IQ Bus input and output make it easy to make system connections, allowing the use of off-the-shelf straight-through network cables. Plus, the interface is backed by Crown's unequalled Three-Year, No-Fault, Full Warranty that covers everything.

For more details about the Crown IQ-INT 3, contact the Crown Technical Support Group at 800-342-6939 or 219-294-8200. Also, visit the Crown Audio website at [www.crownaudio.com](http://www.crownaudio.com).

### Specifications

#### General

**Internal Controls:** A four-segment DIP switch located on the rear panel is used to configure the data rate for communication with the host computer.

**Connectors:** IQ Bus Input: Four RJ-45 connectors. IQ Bus Output: Four RJ-45 connectors. (The IQ Bus Input and Output connectors are grouped in pairs to accommodate four different loops.) Computer: Female 9-pin "D-shell" connector. AC Power: IEC320 connector for AC power cord. All connectors are located on the rear panel.

**Indicators:** A blue front and rear panel Power indicator shows that the unit is plugged in and receiving power. Yellow front and rear panel

#### Features

- Connects up to four separate IQ Bus loops.
- Blue Power indicators on the front and rear panels.
- Yellow Loop Status indicators on the front and rear panels show IQ Bus loop data activity.
- RJ-45 connectors for IQ Bus input and output for easy and secure IQ Bus connections.
- Supports both the original IQ and newer IQ<sup>2</sup> protocols.
- The best three-year "No-Fault" full warranty in the business!

indicators for each IQ Loop show loop data activity.

**Power Supply:** Universal input switching power supply.

**Power Requirements:** 100VAC to 240VAC, 47 Hz to 66 Hz.

#### Power Consumption:

	60 Hz	50 Hz
100VAC	3.70W	3.71W
120VAC	3.92W	3.92W
220VAC	5.03W	5.03W
230VAC	5.23W	5.18W
240VAC	5.59W	5.41W

#### Crown Bus Data Communication

**Protection:** The auto-reset feature is controlled by the microprocessor. Optically coupled 20-milliamp current loop receivers provide ground isolation.

**Data Rate:** 38.4 K baud.

**Data Format:** Asynchronous binary serial data with 1 start bit, 1 stop bit, 8 data bits and no parity check.

**Interface Type:** 20-milliamp current loop.

**Operation:** Half duplex.

**Intelligence:** 16-bit microprocessor.

**Transmission Distance:** Variable from 200 to

3,000 feet (61 to 914 meters) depending on wire capacitance. 1,000 feet (305 meters) is typical with shielded 26 AWG twisted pair wire. IQ repeaters or fiber optic transceivers can be used to cover greater distances.

#### Host Computer Data Communication

**Data Rate:** 9,600, 19,200, 38,400, 57,600 or 115,200 baud.

**Data Format:** Asynchronous binary serial data with 1 start bit, 1 stop bit, 8 data bits and no parity check.

**Interface Type:** RS232.

**Operation:** Half duplex.

**Data Buffer:** 255 bytes.

**Intelligence:** 16-bit microprocessor.

**RS232 Transmission Distance:** 50 feet (15.2 m).

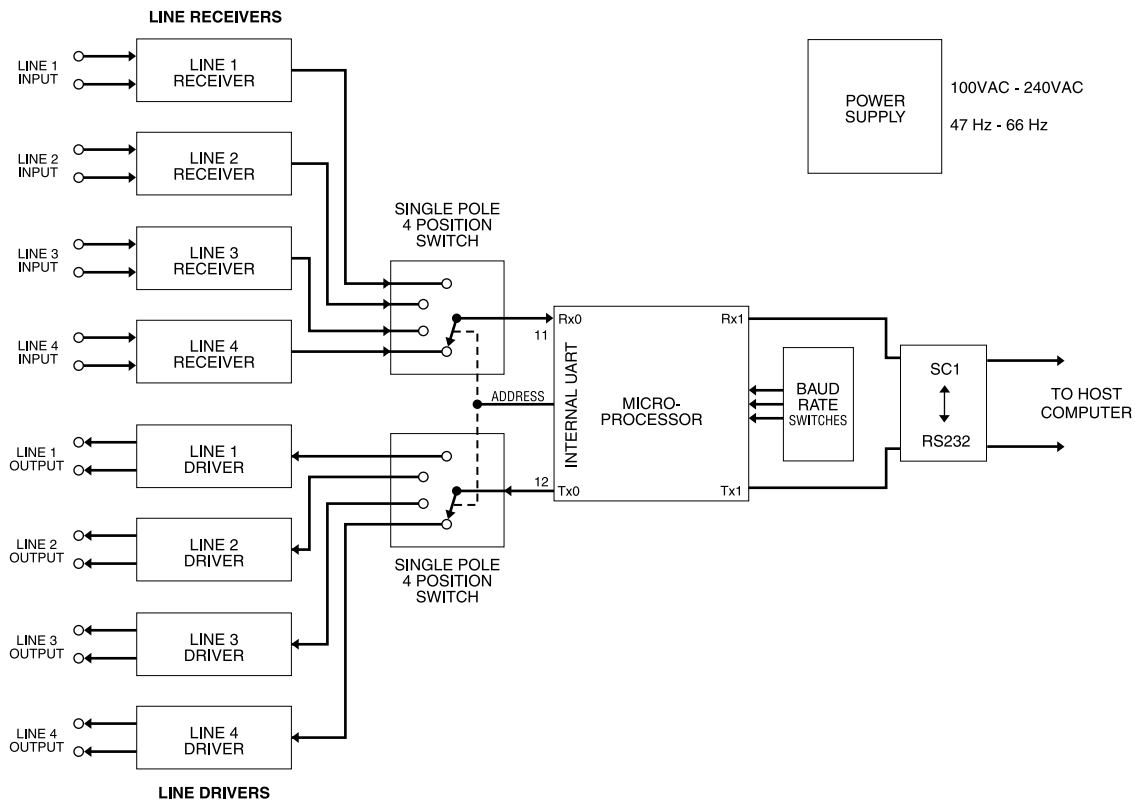
#### Mechanical

**Finish:** Charcoal powder-coated steel chassis and front panel with Lexan® front and rear overlays.

**Dimensions:** 19-inch (48.3 cm) standard rack mount width (EIA RS-310-B), 1.75-inch (4.4 cm) height and 6.5-inch (16.5 cm) depth.

**Weight:** 6 lbs., 4 oz (2.8 kg) net; 9 lbs., 5 oz (4.2 kg) shipping.

# IQ-INT 3



IQ-INT 3 Block Diagram

### Crown's Three-Year, No-Fault, Full Warranty

Crown offers a Three-Year, No-Fault, Full Warranty for every new Crown IQ component—an unsurpassed industry standard. With this unprecedented No-Fault protection, your new Crown IQ component is warranted to meet or exceed original specifications for the first three years of ownership. During this time, if your IQ component fails, or does not perform to original specifications, it will be repaired or replaced at our expense. About the only things not covered by this warranty are those losses normally covered by insurance and those caused by intentional abuse. And the coverage is transferable, should you sell your IQ component.

See your authorized Crown dealer for full warranty disclosure and details. For customers outside of the USA, please contact your authorized Crown distributor for warranty information or call 219-294-8200..



H A Harman International Company

Crown International  
 P.O. Box 1000  
 Elkhart, IN 46515-1000  
 TEL: 219-294-8200  
 FAX: 219-294-8FAX  
 www.crownaudio.com

Specifications subject to change without prior notice. Latest information available at www.crownaudio.com.

© 2001 Crown Audio, Inc. Crown, Com-Tech, IQ and IQ System are registered trademarks of Crown International. Other trademarks are the property of their respective owners. Printed in U.S.A.