

NOTES:

Schematic MI-263 applies only to PC board #9606

Starts SN 1301

Early units R27 was 4.7K and R18 was 56M.

All capacitors in micro-farads, all resistors in ohms unless otherwise noted.

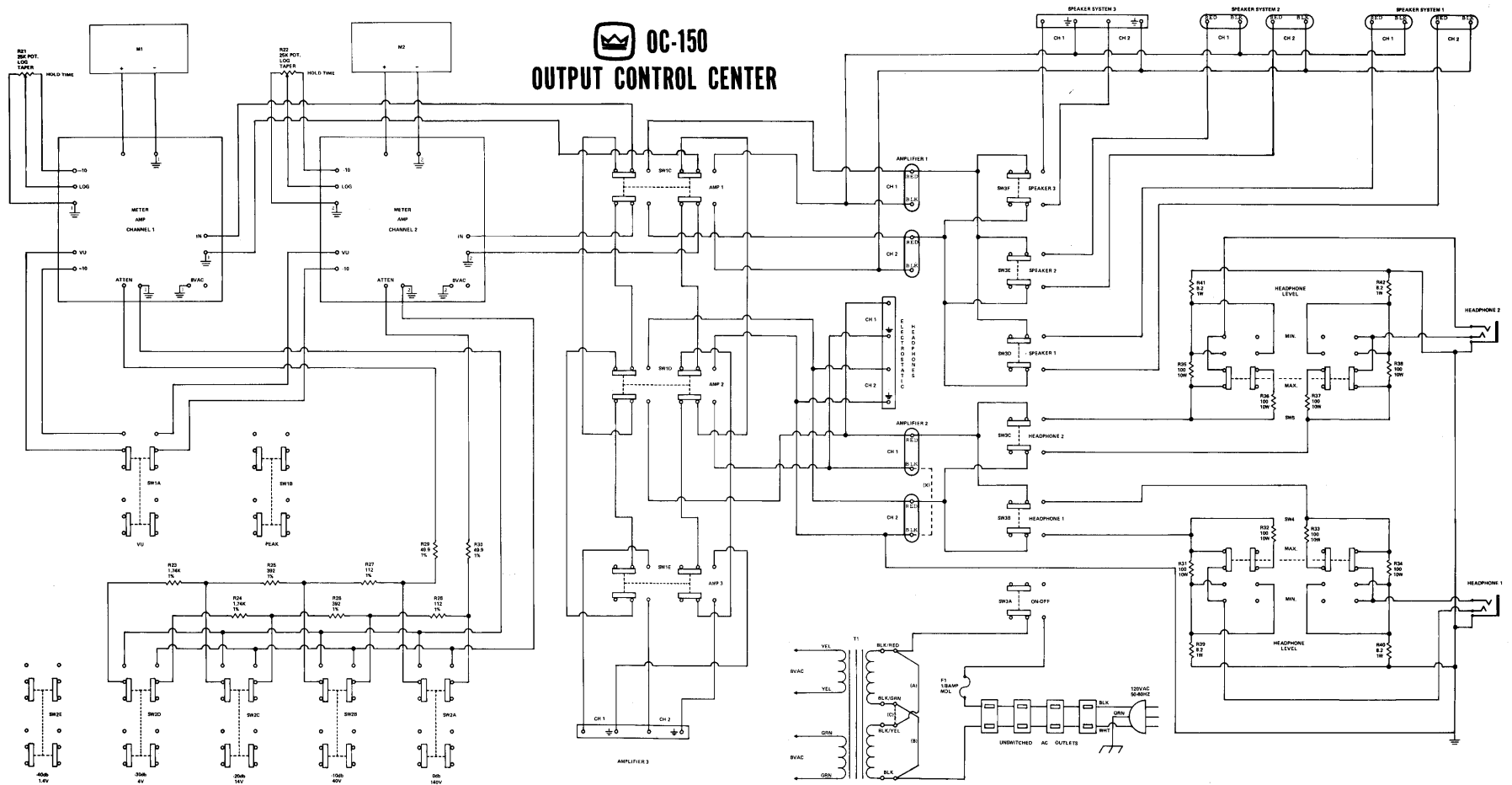
R28 is meter calibration.

Never attempt to adjust R23, the drift adjust, unless a 4-digit DVM is available.

PC board shown from foil side.

**OC-150A
METER AMPLIFIER
MI-263**

OC-150 OUTPUT CONTROL CENTER



NOTES:
TRANSFORMER SHOWN WIRED FOR 120VAC OPERATION.
FOR 240VAC APPLICATIONS DISCONNECT (A) AND (B) THEN
CONNECT AS SHOWN BY DOTTED LINE (C).

SWITCHES 1A AND 1B ARE MECHANICALLY INTERLOCKED.
SWITCHES 1C, 1D, AND 1E ARE MECHANICALLY INTERLOCKED.
SWITCHES 2A, 2B, 2C, 2D, 2E ARE MECHANICALLY INTERLOCKED.

R17 IS METER CALIBRATION.
*G5 AND O6 ARE MATCHED FETS.
ALL RESISTORS ARE IN OHMS

ALL CAPACITORS ARE IN MICRO-FARADS UNLESS OTHERWISE
STATED.
JUMPER (X) MUST BE REMOVED WHEN
COMMON GROUND IS NOT DESIRED.

AMPLIFIER RETURNS ARE ISOLATED FROM EACH OTHER.
LAST: R45, C8, IC28, D6, Q6