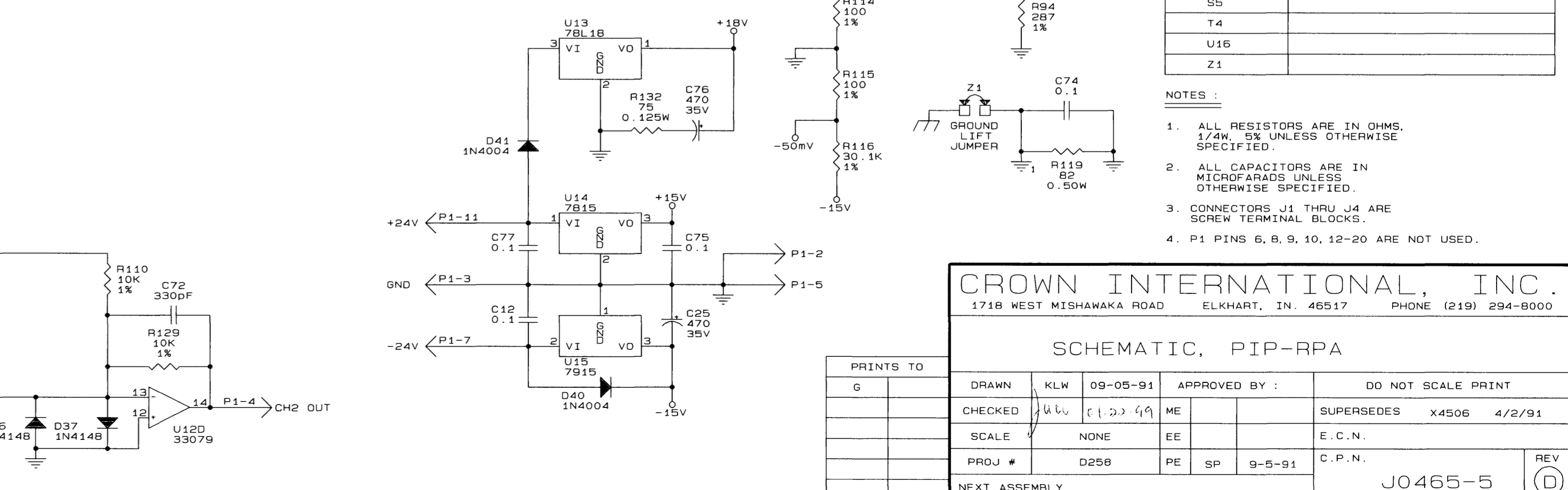
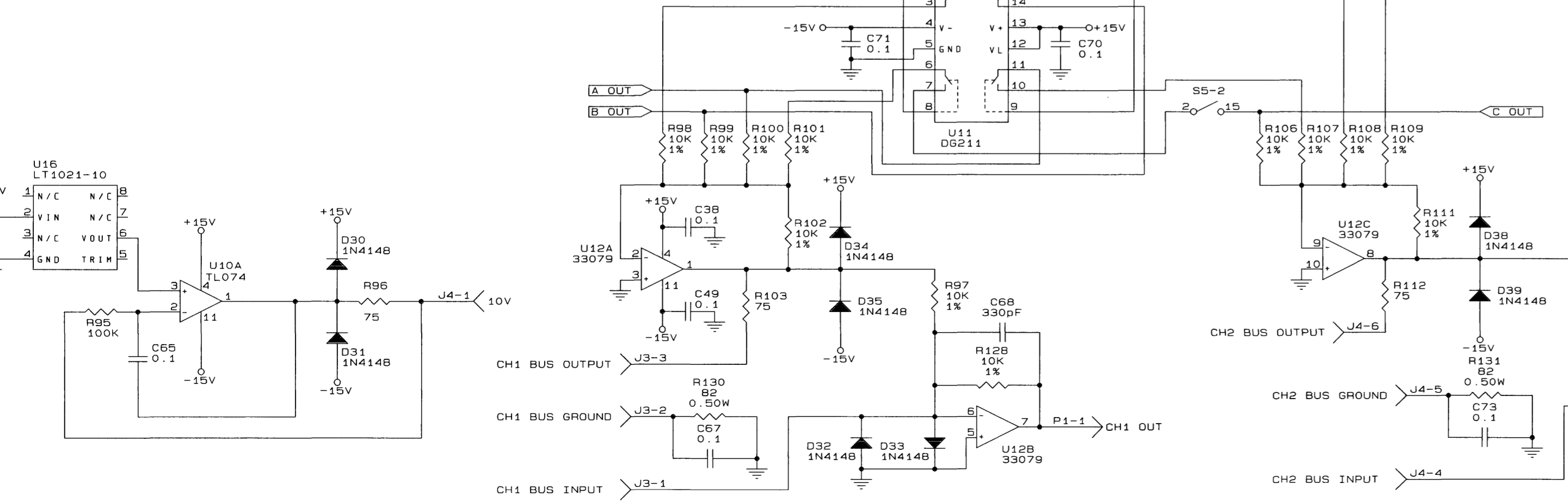
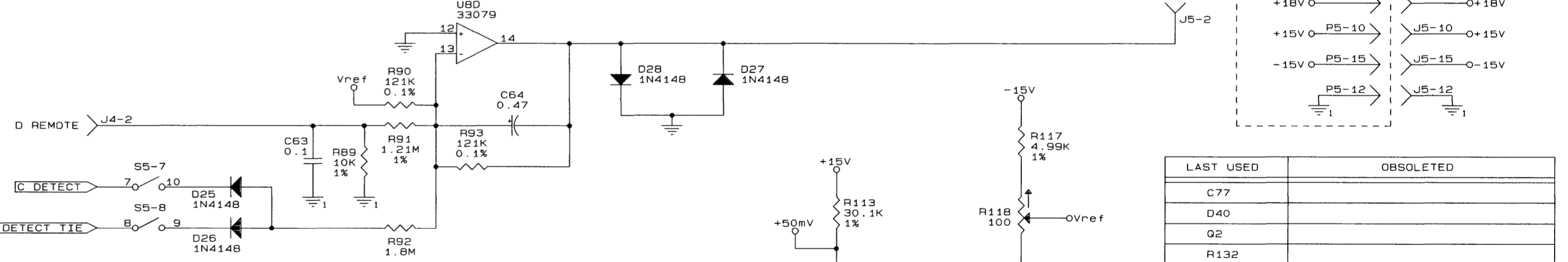
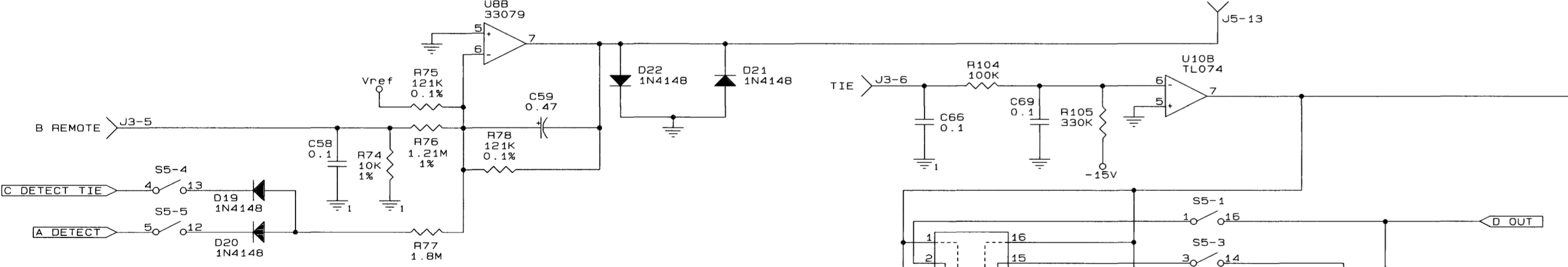
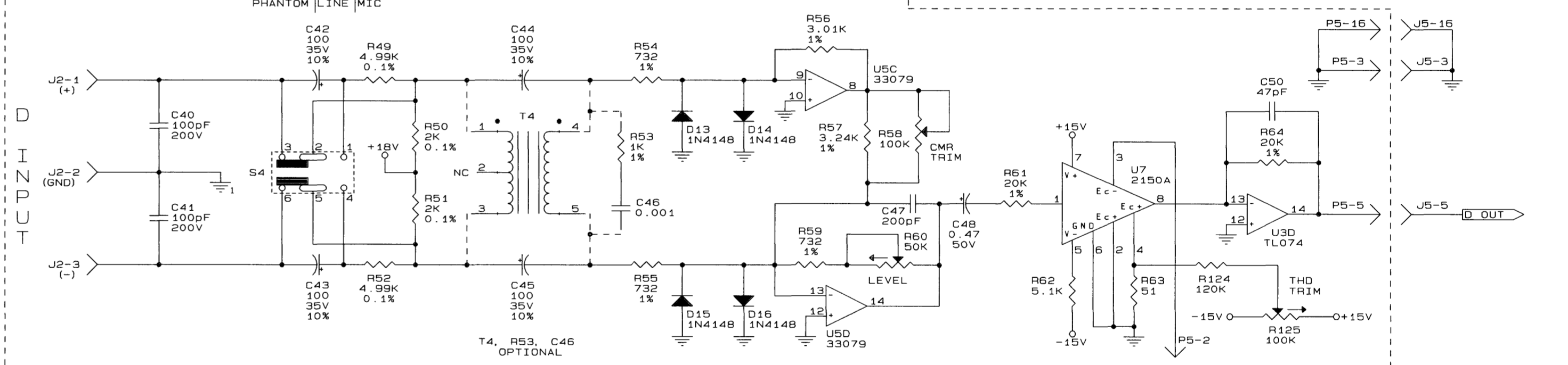
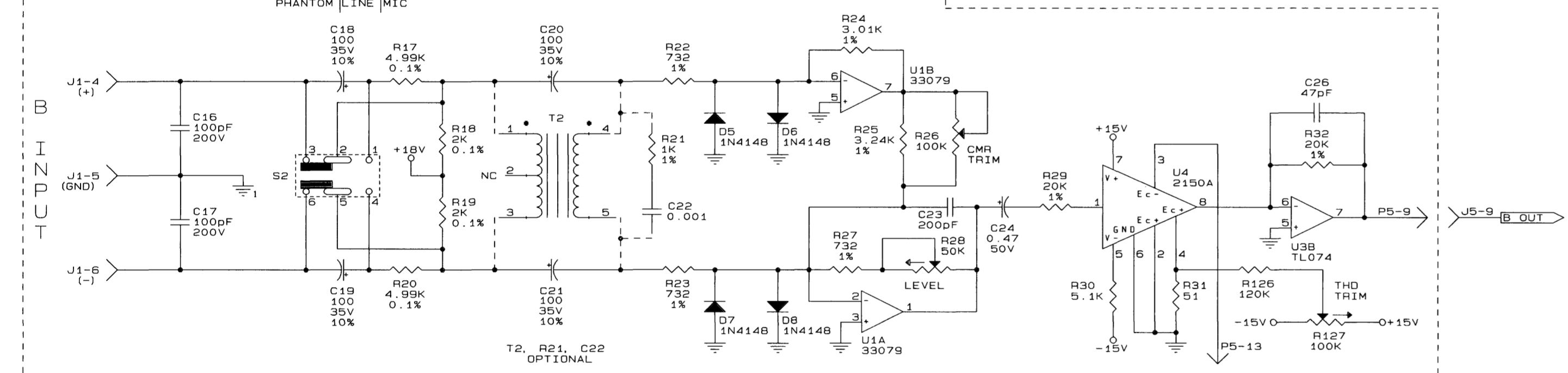
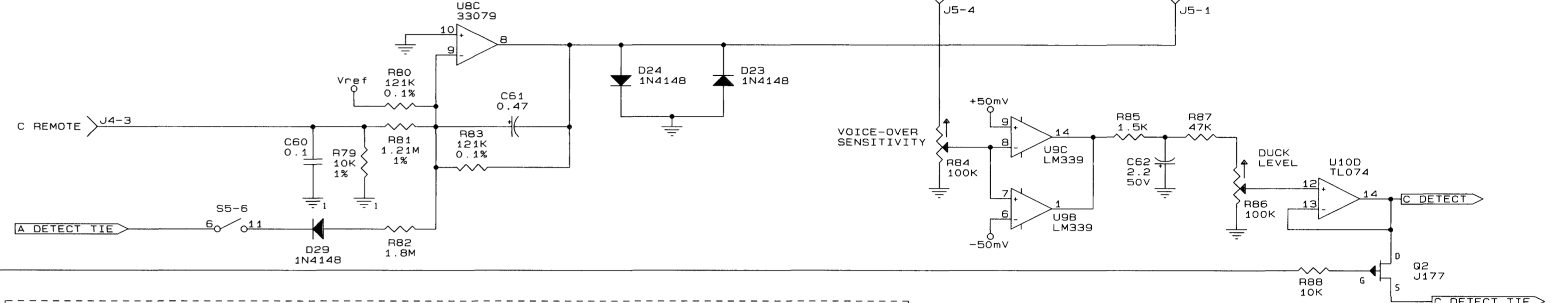
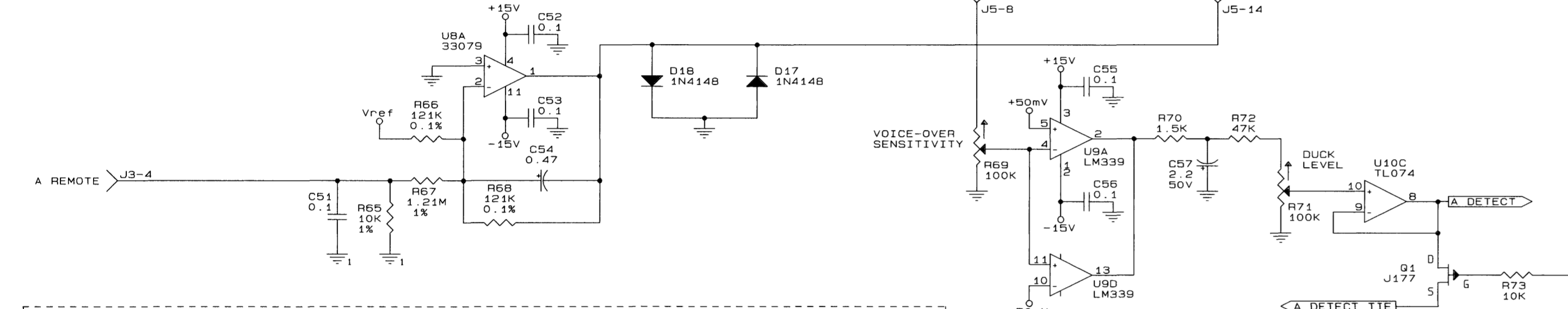
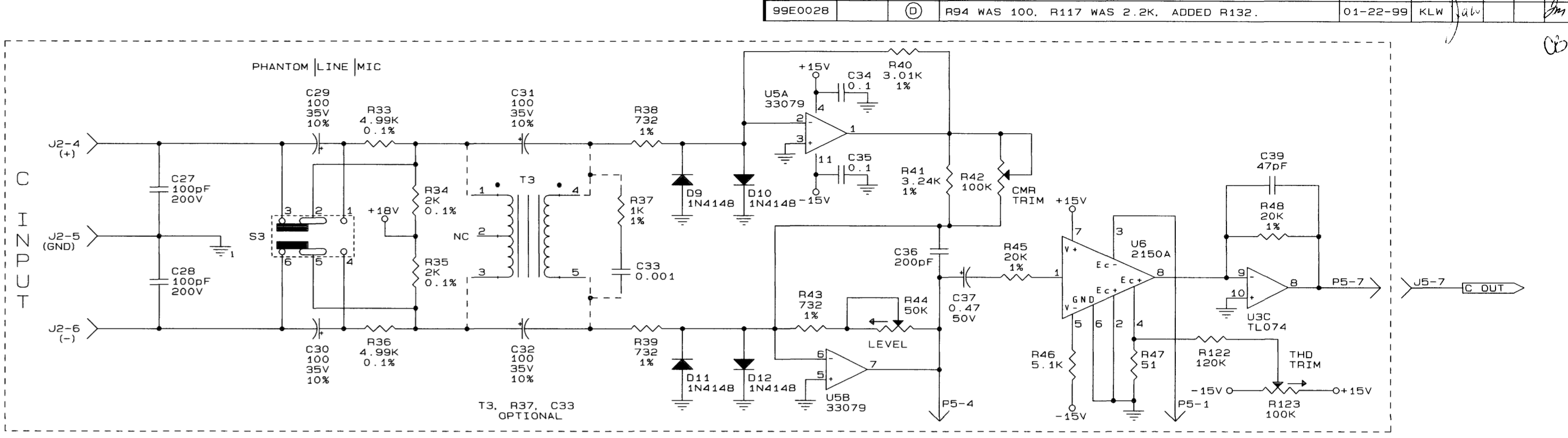
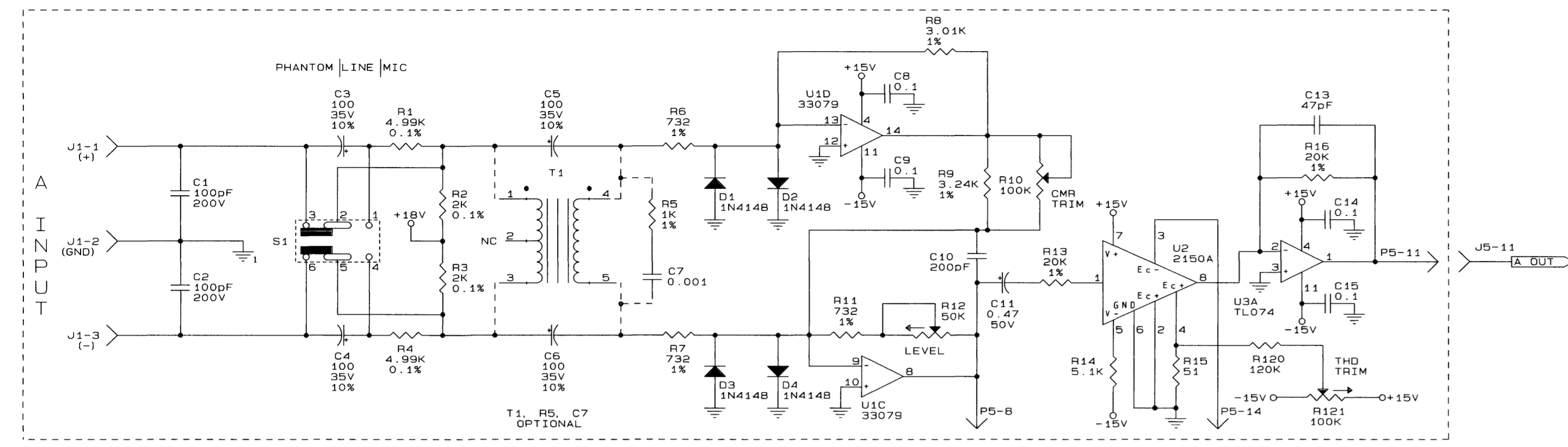


E. C. N.	ZONE	REV	DESCRIPTION	DATE	BY	APPROVALS
		(A)	REVISED VALUE OF C67, C73, R119, R130, AND R131	11-27-91	KLW	CK ME EEE PE
		(B)	R13, R16, R29, R32, R45, R48, R61, AND R64 WERE 5%	02-12-92	KLW	
		(C)	C25 WAS 2.2, C76 WAS 0.1, UB WAS 34004, ADDED D41, EFFECTIVE DATE 07-10-92	04-24-92	KLW	
99E0028		(D)	R94 WAS 100, R117 WAS 2.2K, ADDED R132.	01-22-99	KLW	



LAST USED	OBSOLETE
C77	
D40	
Q2	
R132	
S5	
T4	
U16	
Z1	

- NOTES:
- ALL RESISTORS ARE IN OHMS, 1/4W, 5% UNLESS OTHERWISE SPECIFIED.
 - ALL CAPACITORS ARE IN MICROFARADS UNLESS OTHERWISE SPECIFIED.
 - CONNECTORS J1 THRU J4 ARE SCREW TERMINAL BLOCKS.
 - P1 PINS 6, 8, 9, 10, 12-20 ARE NOT USED.

CROWN INTERNATIONAL, INC.
1718 WEST MISHAWAKA ROAD ELKHART, IN. 46517 PHONE (219) 294-8000

SCHEMATIC, PIP-RPA

PRINTS TO	DRAWN	KLW	09-05-91	APPROVED BY :	DO NOT SCALE PRINT
CHECKED	ME	EE		SUPERSEDES	X4506 4/2/91
SCALE	NONE			E. C. N.	
PROJ #	D258	PE	SP	9-5-91	C.P.N.
NEXT ASSEMBLY					J0465-5