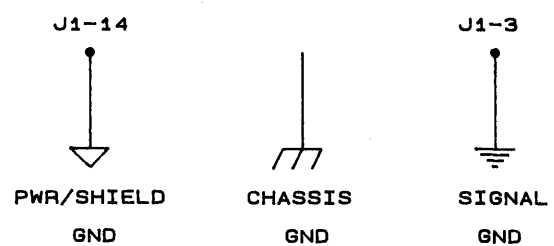
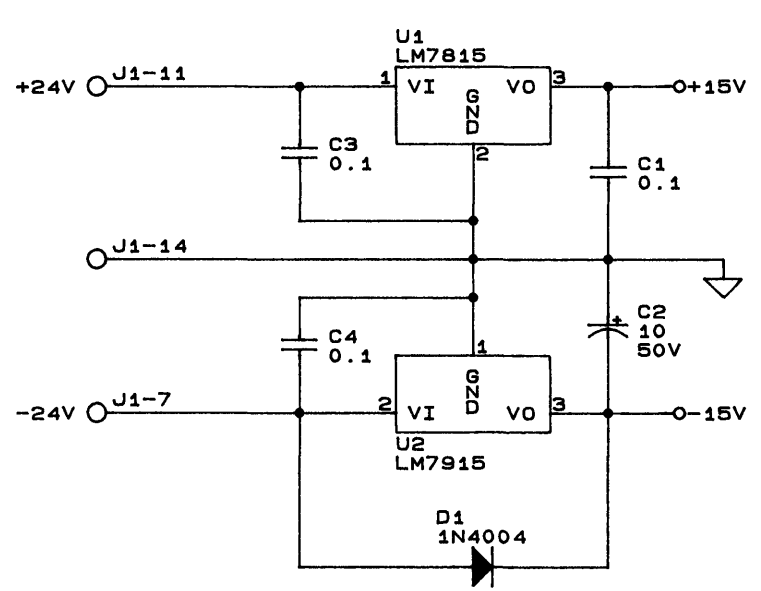
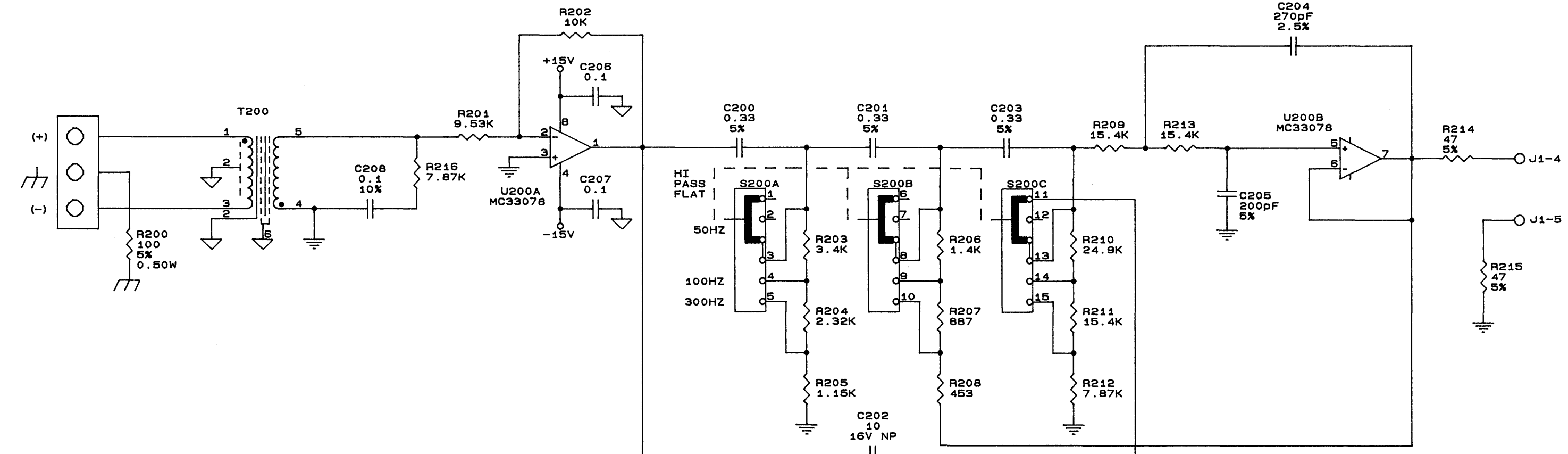
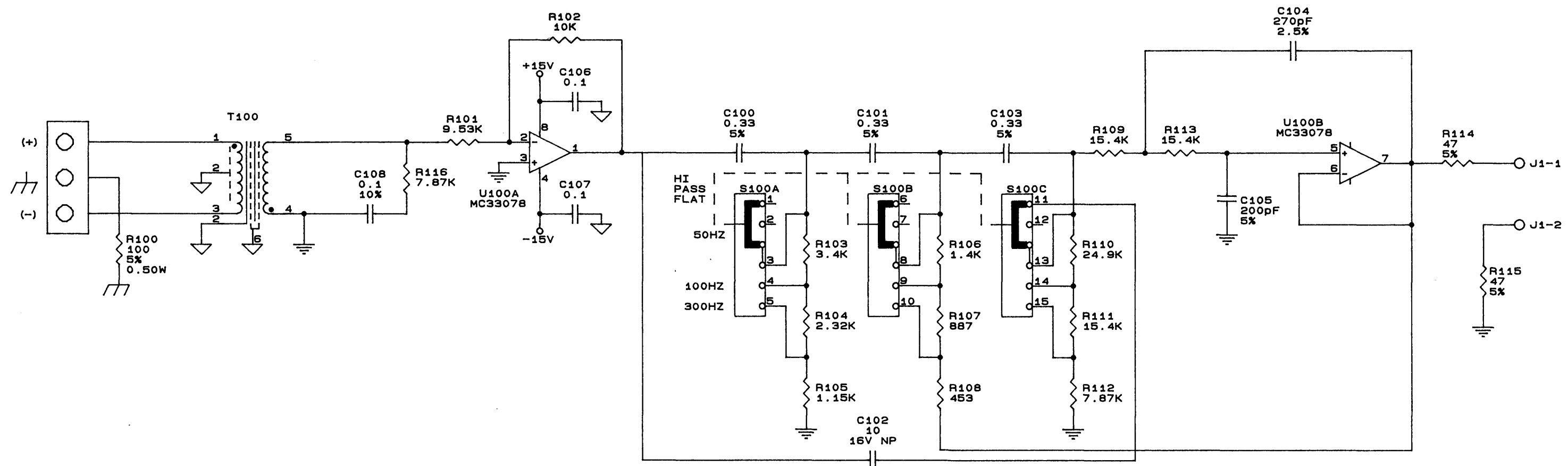


E.C.N.	ZONE	REV	DESCRIPTION	DATE	BY	APPROVALS			
						CK	ME	EE	PE
89-0909		(A)	XFMR. & SWITCH PIN NO. MODS	11-29-89	JFL			SP	SP
90-0157		(B)	SEE MARKED SCHEMATIC PER ECN 90-0157	2-16-90	TLM	JF			SP
94-143		(C)	C102 AND C202 WERE 8.9, C2 WAS .1, ADDED NOTE 3	09-01-94	KLW				Jm



LAST USED	OBSOLETE
R116	
R216	
C108	
C208	
U100	
U200	
U2	
D1	
C4	
T100	
T200	
S100	
S200	

- NOTES :
- ALL RESISTORS ARE IN OHMS, 1/4W 1% UNLESS OTHERWISE SPECIFIED.
 - ALL CAPACITORS ARE IN MICROFARADS UNLESS OTHERWISE SPECIFIED.
 - MODULE AND P.C. BOARD FOR THIS SCHEMATIC IS G42761-9 / D 7186-6.

CROWN INTERNATIONAL, INC.
1718 WEST MISHAWAKA ROAD ELKHART, IN. 46517 PHONE (219) 294-8000

SCHEM, PIP-ISO

DRAWN	JF	9-19-89	APPROVED BY :	DO NOT SCALE PRINT
CHECKED			ME	SUPERSEDES X-3473 9-6-89
SCALE	NONE		EE SP 11-30-89	E.C.N. 89-0689
PROJ #	D228		PE Jm 9-7-94	C.P.N. J 0370-7
NEXT ASSEMBLY				REV (C)