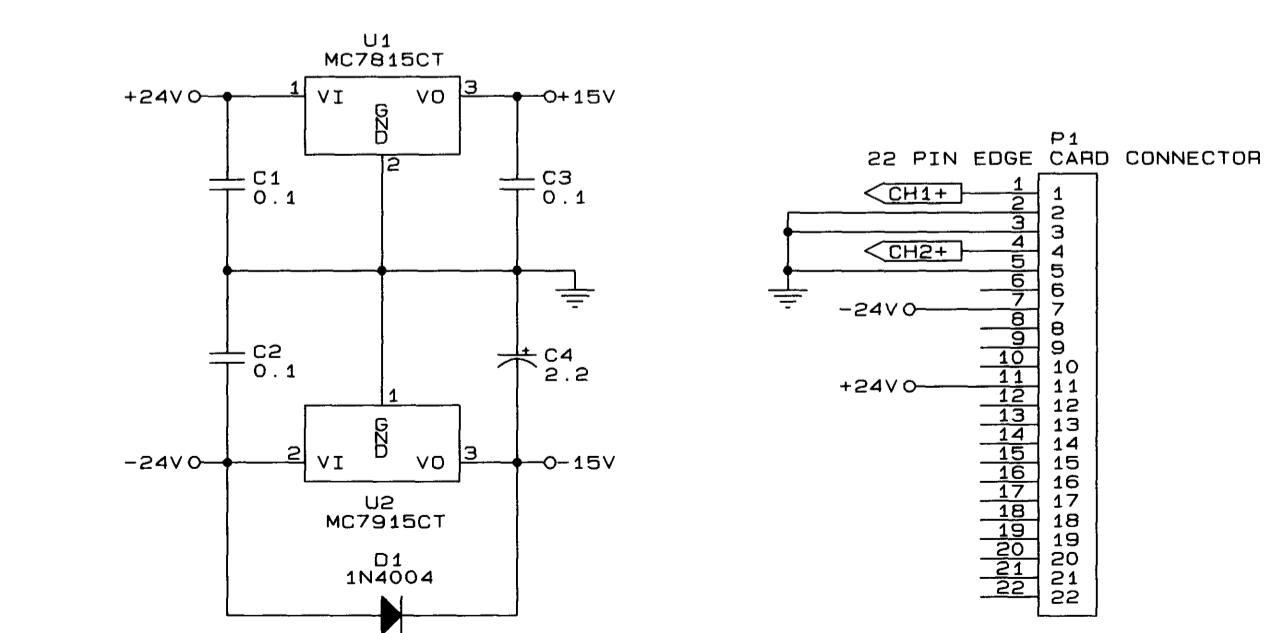
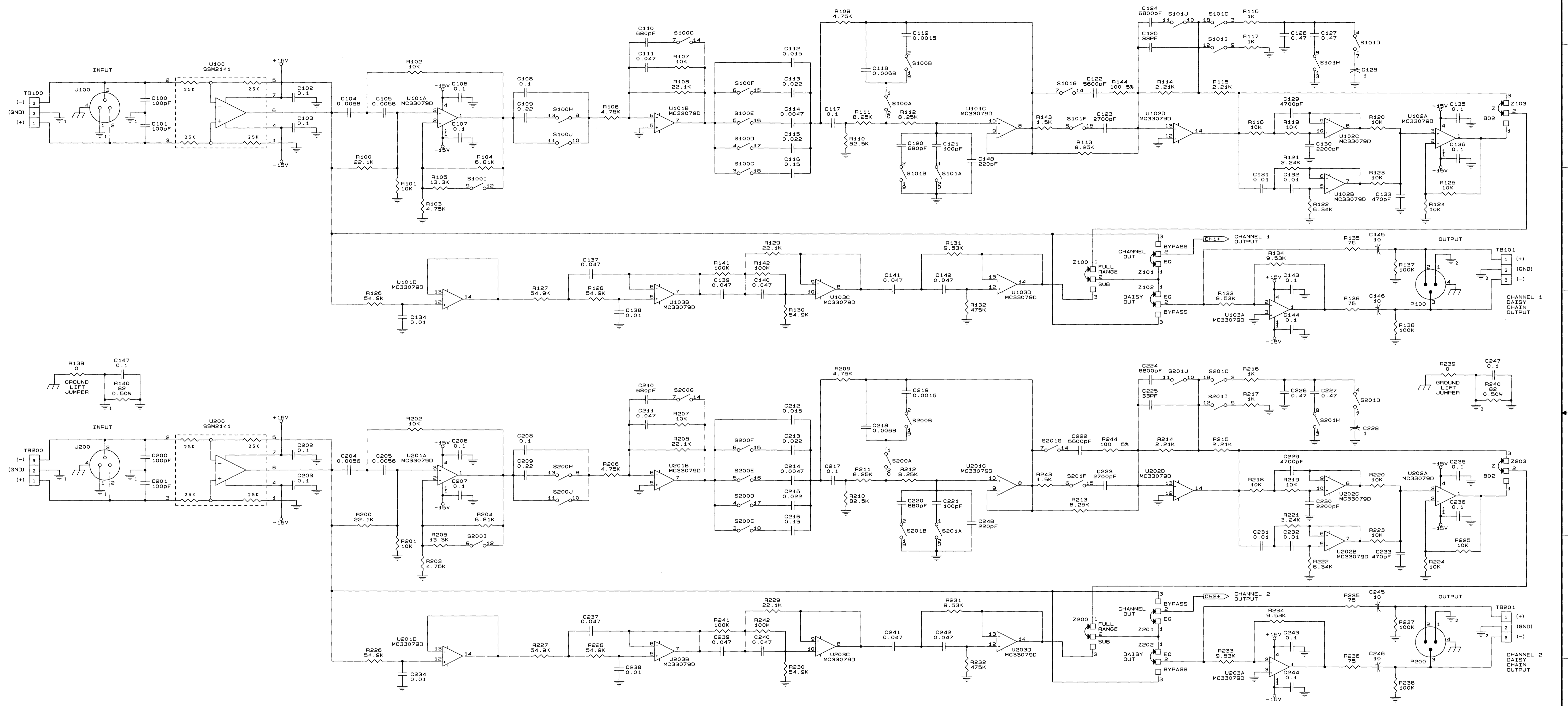


E. C.	ZONE	REV	DESCRIPTION	DATE	BY	APPROVALS
		A	INITIAL RELEASE.	04-03-97	KLW	PW
		B	C122, C222 WERE 2700PF & ADDED R144, R244.	09/17/97	DHW	KW
97E0197		C	SWAPPED INPUT PINS ON U103A & U203A.	12-15-97	KLW	PW



UNUSED ELEMENTS	LAST USED	NOT USED
S101E 5-0/016	C24B 5-99, 149-199,	
S201E 5-0/016	D1 1-99, 101-199	
	J200 2-99, 101-199	
	R244 1-99, 145-199	
	S201 1-99, 102-199	
	TB201 1-99, 102-199	
	U203 3-99, 104-199	
	Z203 1-99, 104-199	

- INACTIVE**
For Reference Use Only
Document Has Been Replaced
with a Newer Version
- NOTES:**
- ALL RESISTORS ARE IN OHMS, 1/10W, 1% UNLESS OTHERWISE SPECIFIED.
 - ALL CAPACITORS ARE IN MICROFARADS UNLESS OTHERWISE SPECIFIED.
 - THIS SCHEMATIC APPLIES TO: PRINTED WIRING BOARD 101430-2 PRINTED WIRING ASSEMBLY 101431-2

CROWN INTERNATIONAL, INC.
1718 WEST MISHAWAKA ROAD ELKHART, IN. 46517 PHONE (219) 294-8000

SCH. PIP-BEQ

PRINTS TO	G
DRAWN	KLW 04-03-97
CHECKED	ME 12/16/97
SCALE	NONE
PROJ #	MD374D0
DATE	04/08/97
APPROVED BY :	DD NOT SCALE PRINT
SUPERSEDES	J0735-1
E. C. N.	
C. P. N.	
REV	101429

THESE DRAWINGS AND SPECIFICATIONS ARE THE PROPERTY OF CROWN INTERNATIONAL, INC. AND SHALL NOT BE REPRODUCED, COPIED, OR USED AS THE BASIS FOR THE MANUFACTURE OR SALE OF APPARATUS OR DEVICES WITHOUT PERMISSION.