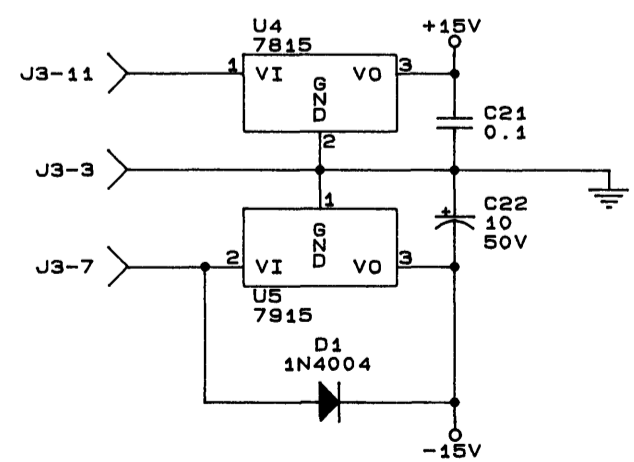
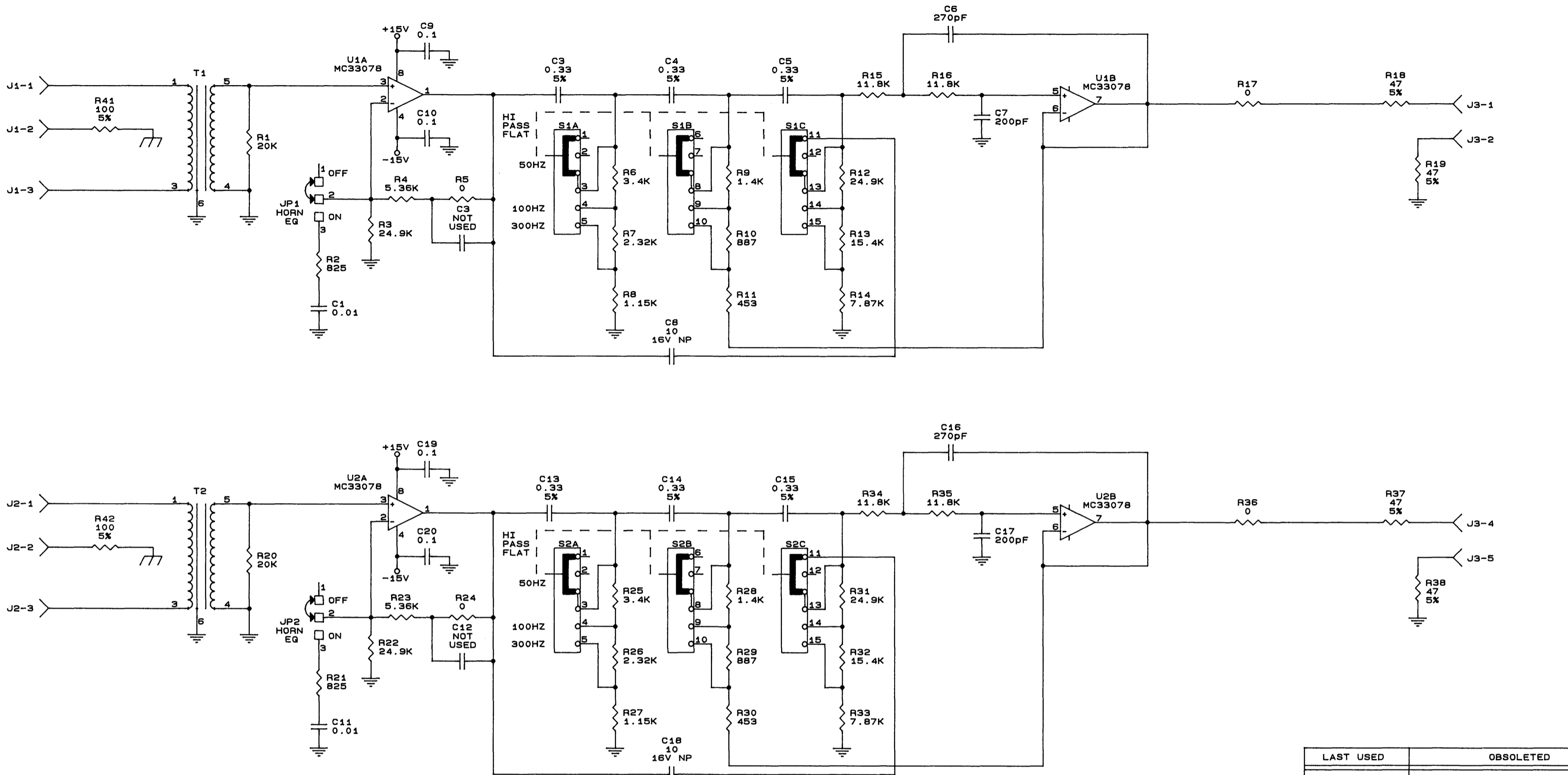


E.C.N.	ZONE	REV	DESCRIPTION	DATE	BY	APPROVALS
89-0555		(A)	JP1 WAS Z1, C8 WAS 22/16V, JP2 WAS Z2 C18 WAS 22/16V	06-30-89	LCD	JF ME EE PE
90-0088		(B)	SEE ECN FOR DETAILS	02-09-90	LCD	JF
94-143		(C)	C22 WAS .1, C8 & C18 WERE 8.9, ADDED NOTE 3.	03-04-93	KLW	



LAST USED	OBSOLETE
C24	
D1	
JP2	
J3	
R42	
S2	
T2	
U5	

- NOTES :
- ALL RESISTORS ARE IN OHMS. 1/4W, 1% UNLESS OTHERWISE SPECIFIED.
 - ALL CAPACITORS ARE IN MICROFARADS UNLESS OTHERWISE SPECIFIED.
 - MODULE AND P.C. BOARD FOR THIS SCHEMATIC ARE G42730-4 / D 7171-8.

INACTIVE
For Reference Use Only

CROWN INTERNATIONAL, INC.
1718 WEST MISHAWAKA ROAD ELKHART, IN. 46517 PHONE (219) 294-8000

PRINTS TO		SCHEM, PIP-FTE				DO NOT SCALE PRINT	
G		DRAWN	KLW	07-18-91	APPROVED BY :		
		CHECKED	JF	3-30-89	ME	SUPERSEDES X-3065 REV A	
		SCALE	NONE		EE	E.C.N. 89-0085	
		PROJ #	D223		PE SP	C.P.N. J0364-0	
		NEXT ASSEMBLY				REV (C)	