

NOTES:

Schematic MI-263 applies only to PC board #9606

Starts SN 1301

Early units R27 was 4.7K and R18 was 56M.

All capacitors in micro-farads, all resistors in ohms unless otherwise noted.

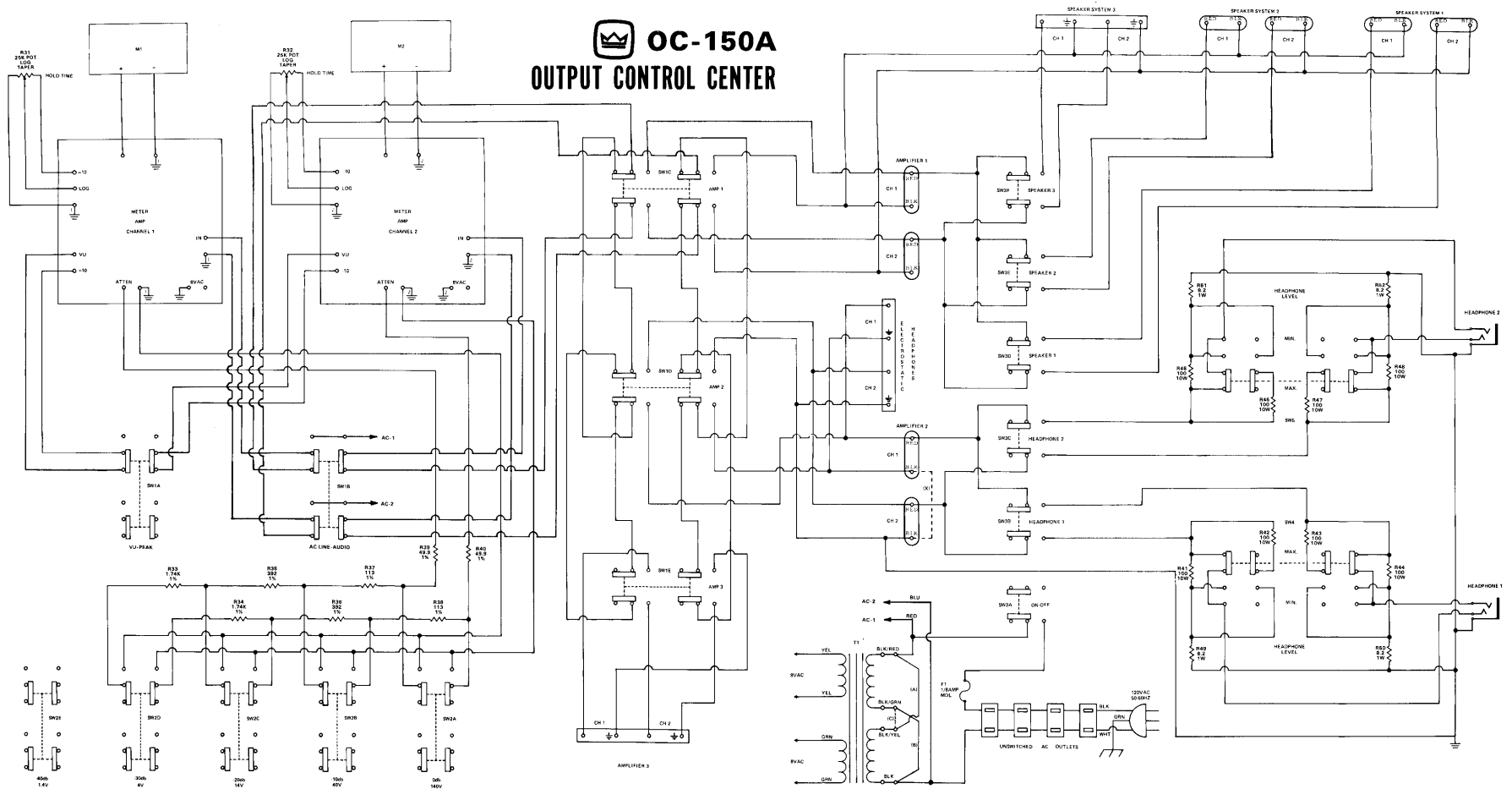
R28 is meter calibration.

Never attempt to adjust R23, the drift adjust, unless a 4-digit DVM is available.

PC board shown from foil side.

**OC-150A
METER AMPLIFIER
MI-263**

OC-150A OUTPUT CONTROL CENTER



NOTES:
SWITCHING SCHEMATIC SHOWN STARTS SN-1301.
DOES NOT APPLY TO EARLIER UNITS.

TRANSFORMER SHOWN WIRED FOR 120VAC OPERATION
FOR 240VAC APPLICATIONS DISCONNECT (A) AND (B)
THEN CONNECT AS SHOWN BY DOTTED LINE (C).

SWITCHES 1C, 1D, AND 1E ARE MECHANICALLY
INTERLOCKED.
SWITCHES 2A, 2B, 2C, 2D, 2E ARE MECHANICALLY
INTERLOCKED.

INSTALLING JUMPER (X) PRODUCES A COMMON
GROUND, BETWEEN CHANNELS.
AMPLIFIER RETURNS ARE ISOLATED FROM EACH
OTHER.

MI-264