

## IQ REPEATER

# IQ-RPT 3



The Crown IQ-RPT 3 repeater helps an IQ System go the extra distance by increasing the length of an IQ Bus loop. It does this by reconstructing the data signal to prevent its degradation. With an IQ-RPT 3 in a system, 1,000 feet (305 m) or more can typically be added to the operating distance of an IQ Bus. And because more than one IQ-RPT 3 can be used on each IQ Bus loop, the potential is impressive.

The IQ-RPT 3 works with any IQ interface, including both IQ and IQ<sup>2</sup> legacy interfaces. Plus, the IQ-RPT 3 is backed by Crown's unequaled Three-Year, No-Fault, Fully Transferable Warranty that covers everything.

For more details about the Crown IQ-RPT 3, contact the Crown Technical Support Group at 800-342-6939 or 219-294-8200. Also, visit the Crown Audio website at [www.crownaudio.com](http://www.crownaudio.com).

### Specifications

#### General

**Connectors:** IQ Bus Input: RJ-45 connector. IQ Bus Output: RJ-45 connector. AC Power: IEC320 connector for AC power cord. All connectors are located on the rear panel.

**Indicators:** Blue front and rear panel Power indicators show that the unit is plugged in and receiving power. Yellow front and rear panel indicators show loop send data activity. Green front and rear panel indicators show loop receive data activity.

**Power Supply:** Universal input switching power supply.

### Features

- Increases the length of an IQ Bus loop by as much as 1000 feet (305 m).
- Blue Power indicators on the front and rear panels.
- Yellow Send and green Receive indicators on the front and rear panels show IQ Bus loop data activity.
- RJ-45 connectors for IQ Bus input and output for easy and secure IQ Bus connections.
- Supports both the original IQ and newer IQ<sup>2</sup> protocols.
- Three-Year, No-Fault, Fully-Transferable Warranty protects your investment and guarantees the specifications.

**Power Requirements:** 100VAC to 240VAC, 47 Hz to 66 Hz.

#### Power Consumption:

	60 Hz	50 Hz
100VAC	3.70W	3.71W
120VAC	3.92W	3.92W
220VAC	5.03W	5.03W
230VAC	5.23W	5.18W
240VAC	5.59W	5.41W

#### Crown Bus Data Communication

**Protection:** The auto-reset feature is controlled by the microprocessor. Optically coupled 20-milliamp current loop receivers provide ground isolation.

**Data Rate:** 38.4 K baud.

**Data Format:** Asynchronous binary serial data with 1 start bit, 1 stop bit, 8 data bits and no parity check.

**Interface Type:** 20-milliamp current loop.

**Operation:** Half duplex.

**Intelligence:** 16-bit microprocessor.

**Transmission Distance:** Variable from 200 to 3,000 feet (61 to 914 meters) depending on wire capacitance.\* 1,000 feet (305 meters) is typical with shielded 26 AWG twisted pair wire. More IQ repeaters or fiber optic transceivers can be used to cover greater distances.

#### Mechanical

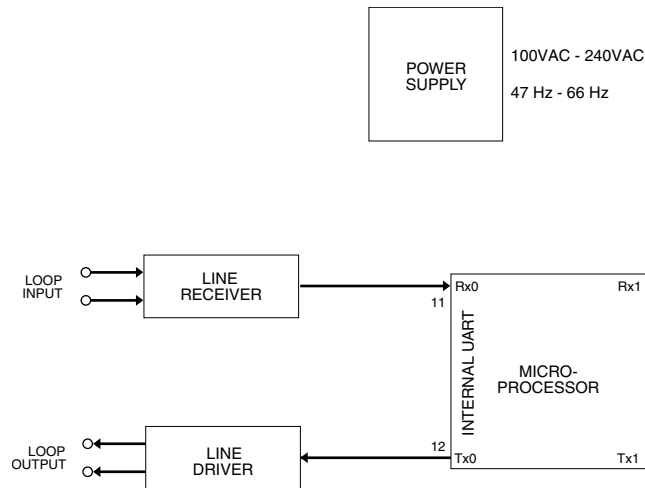
**Finish:** Charcoal powder-coated steel chassis and front panel with Lexan® front and rear overlays.

**Dimensions:** 19-inch (48.3 cm) standard rack mount width (EIA RS-310-B), 1.75-inch (4.4 cm) height and 6.5-inch (16.5 cm) depth.

**Weight:** 6 lbs., 4 oz (2.8 kg) net; 9 lbs., 5 oz (4.2 kg) shipping.

\*Maximum IQ Loop capacitance should be approximately 30nf. Add 60pf of capacitance for every IQ component in the IQ Loop for the calculation of loop capacitance.

# IQ-RPT 3



**IQ-RPT 3 Block Diagram**

### Crown's Three-Year, No-Fault, Fully-Transferable Warranty

Crown offers a Three-Year, No-Fault, Fully-Transferable Warranty for every new Crown IQ component—an unsurpassed industry standard. With this unprecedented No-Fault protection, your new Crown IQ component is warranted to meet or exceed original specifications for the first three years of ownership. During this time, if your IQ component fails, or does not perform to original specifications, it will be repaired or replaced at our expense. About the only things not covered by this warranty are those losses normally covered by insurance and those caused by intentional abuse. And the coverage is transferable, should you sell your IQ component.

See your authorized Crown dealer for full warranty disclosure and details. For customers outside of the USA, please contact your authorized Crown distributor for warranty information or call 219-294-8200..



**H** A Harman International Company

Crown International  
 P.O. Box 1000  
 Elkhart, IN 46515-1000  
 TEL: 219-294-8200  
 FAX: 219-294-8FAX  
 www.crownaudio.com

Specifications subject to change without prior notice. Latest information available at [www.crownaudio.com](http://www.crownaudio.com).

© 2001 Crown Audio, Inc. Crown, IQ and IQ System are registered trademarks of Crown International. Other trademarks are the property of their respective owners. Printed in U.S.A.