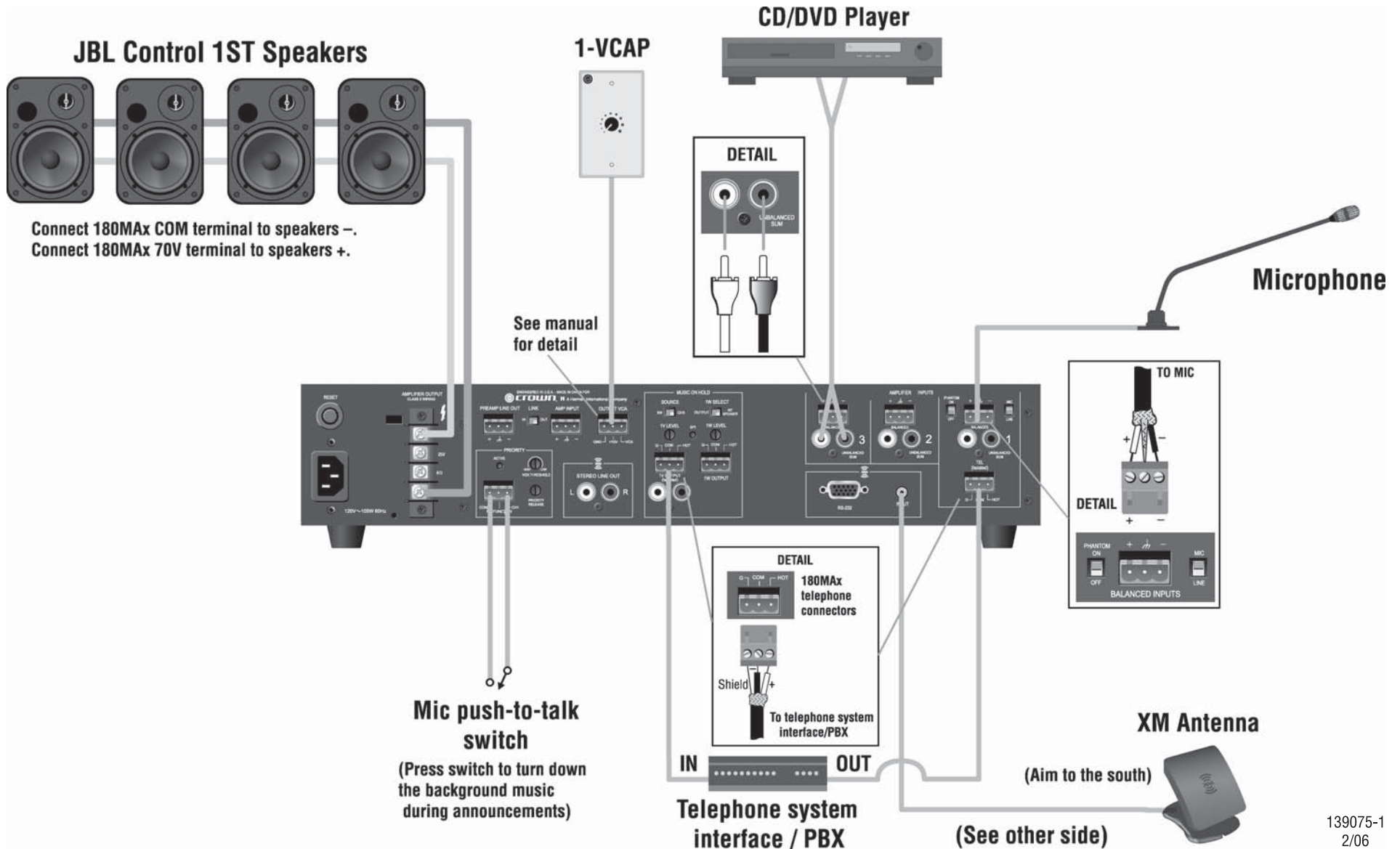


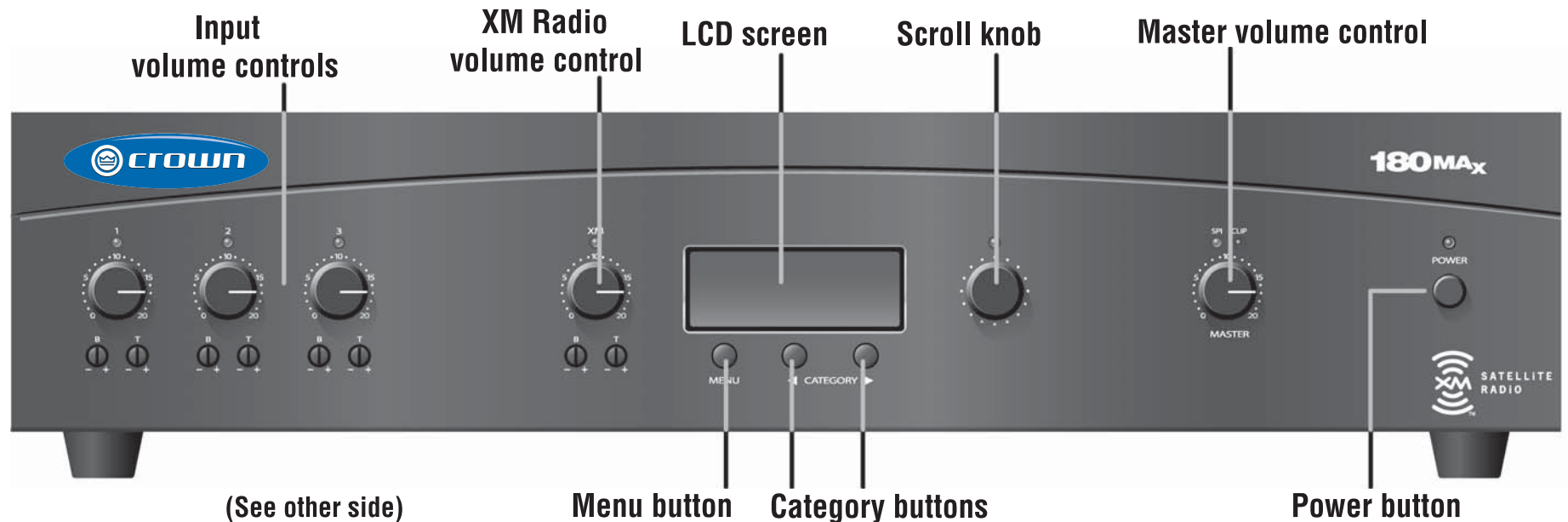
CROWN COMMERCIAL AUDIO SERIES — 180Max PACK

QUICK-START GUIDE



CROWN COMMERCIAL AUDIO SERIES — 180MAX PACK

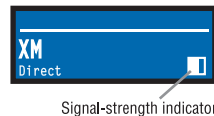
QUICK-START GUIDE



HOW TO LISTEN TO XM RADIO AND FIND CHANNELS

After making connections as shown on other side of this sheet, and after subscribing to XM Radio,

1. Press **Power Button** to turn on power.
2. Turn up **Master volume control**, **Input volume controls** and **XM Radio volume control** for the desired volume.
3. Adjust antenna position to fill the signal-strength box in the LCD screen.
4. Turn **Scroll knob** to find a channel you like.
5. Press **Scroll knob** to listen to that channel.



HOW TO SELECT PRESET CHANNELS

1. Press **Menu** button until you see "Preset" in the LCD screen.
2. Turn **Scroll knob** until you see the Preset channel you want, then press **Scroll knob**.

Artist	Song title
124	Channel Name
Preset	Category name

HOW TO SELECT CHANNELS BY CATEGORY (MUSICAL GENRE)

1. Press the **Menu** button until you see "Category" in the lower left of the display.
2. Press **Category <>** buttons until you see a category you want.
3. Turn **Scroll knob** until you see a channel you want.

Artist	Song title
124	Channel Name
Category	Category name