

ERRATA

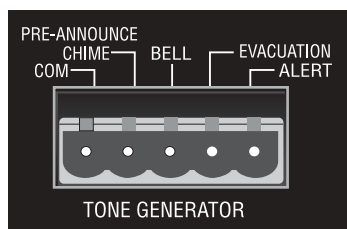
180MA and 280MA Mixer-Amplifiers

Dear Customer:

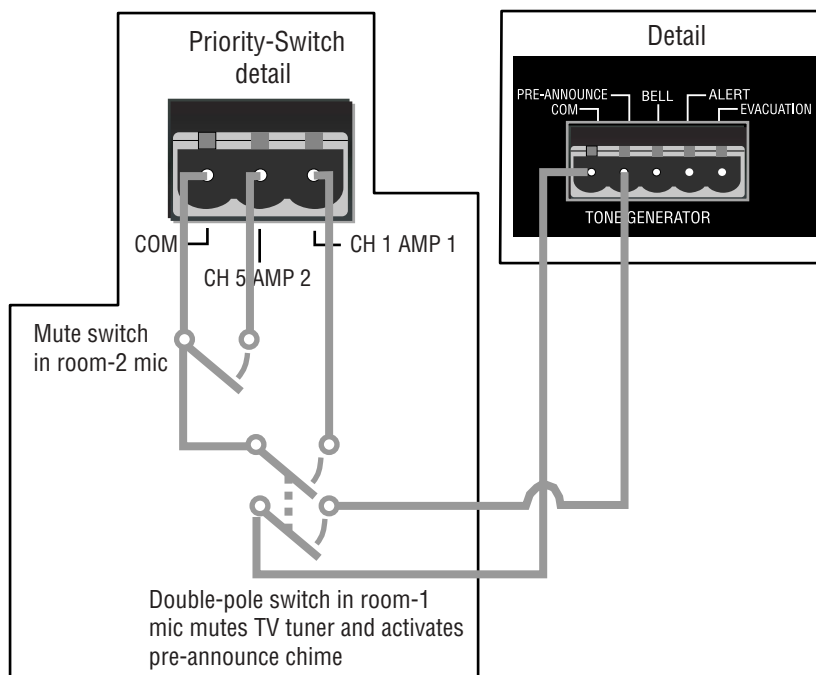
Please note that the text on the back panel for the Tone Generator is reversed for the Alert and Evacuation tones. When the contact labeled **Alert** is activated, the evacuation tone is produced. When the contact labeled **Evacuation** is activated, the alert tone is produced.

We apologize for this misprint. For Technical Support, please call 1-800-342-6939.

The figure below shows the proper configuration.



Also, in the **Quick-Start Guide**, the wiring between the Priority Switch connector and Tone Generator connector should look like the figure below. If your microphone has a single-pole push-to-talk switch instead of a double-pole, use three separate switches.



A Harman International Company

Crown International
1718 W. Mishawaka Rd.
Elkhart, IN 46517-9439
TEL: 574.294.8000
FAX: 574.294.8FAX
www.crownaudio.com

©2005 by Crown Audio®, Inc.
Crown and Crown Audio are registered
trademarks of Crown International.

138152-1
1/05